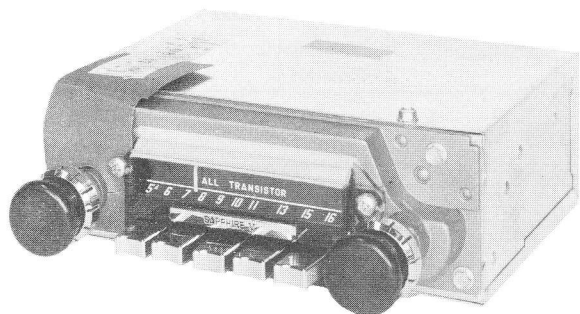


PHOTOFACT[®] with

CIRCUITRACE[®]



TRADE NAME : Volkswagen Models:
 7BVXG (1967 Karmann Ghia)
 7BVXT (1967 Transporter)
 7BVXW (1967 Sedan)
 7BVX3 (1967 Type 3)

SUPPLIER : For Current Address, See Annual Index

TYPE SET : 6 Transistor AM Receiver

POWER SUPPLY : 12 Volt Storage Battery

RATING : .6 Amp. @ 12.6 Volts DC

VOLKSWAGEN MODELS 7BVXG, 7BVXT, 7BVXW, 7BVX3

ALIGNMENT INSTRUCTIONS

Check for specified source voltage.
 Use only enough generator output to provide a usable indication.
 Suggested Alignment Tools:

A1 thru A4 ... GENERAL CEMENT #9440
 WALSCO #2501
 A5, A6, A7 .. GENERAL CEMENT #8290, 8868, 9087
 WALSCO #2525, 2528, 2587

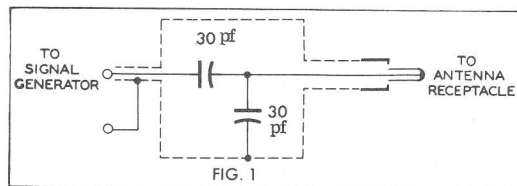
	SIGNAL GENERATOR COUPLING	SIGNAL GENERATOR FREQUENCY	RADIO DIAL SETTING	INDICATOR	ADJUST	REMARKS
1.	High side thru .1mfd to point Δ , low side to ground.	262.5KC (400 λ Mod.)	High Freq. End Stop.	Output Meter across voice coil.	A1, A2, A3, A4	Adjust for maximum.
2.	Thru dummy (Fig. 1) to antenna receptacle.	1605KC	"	"	A5, A6, A7	"

Step 3 is not necessary unless tuner has been tampered with or associated components have been replaced. IF necessary, back tuning cores (A8, A9, A10) out of coils but not out of forms. Repeat step 2.

3.	Thru dummy (Fig. 1) to antenna receptacle.	1000KC	Tune to Signal.	Output Meter across voice coil.	A8, A9, A10	Adjust for maximum. Repeat steps 2 & 3 until no further improvement is noted.
----	--	--------	-----------------	---------------------------------	-------------	---

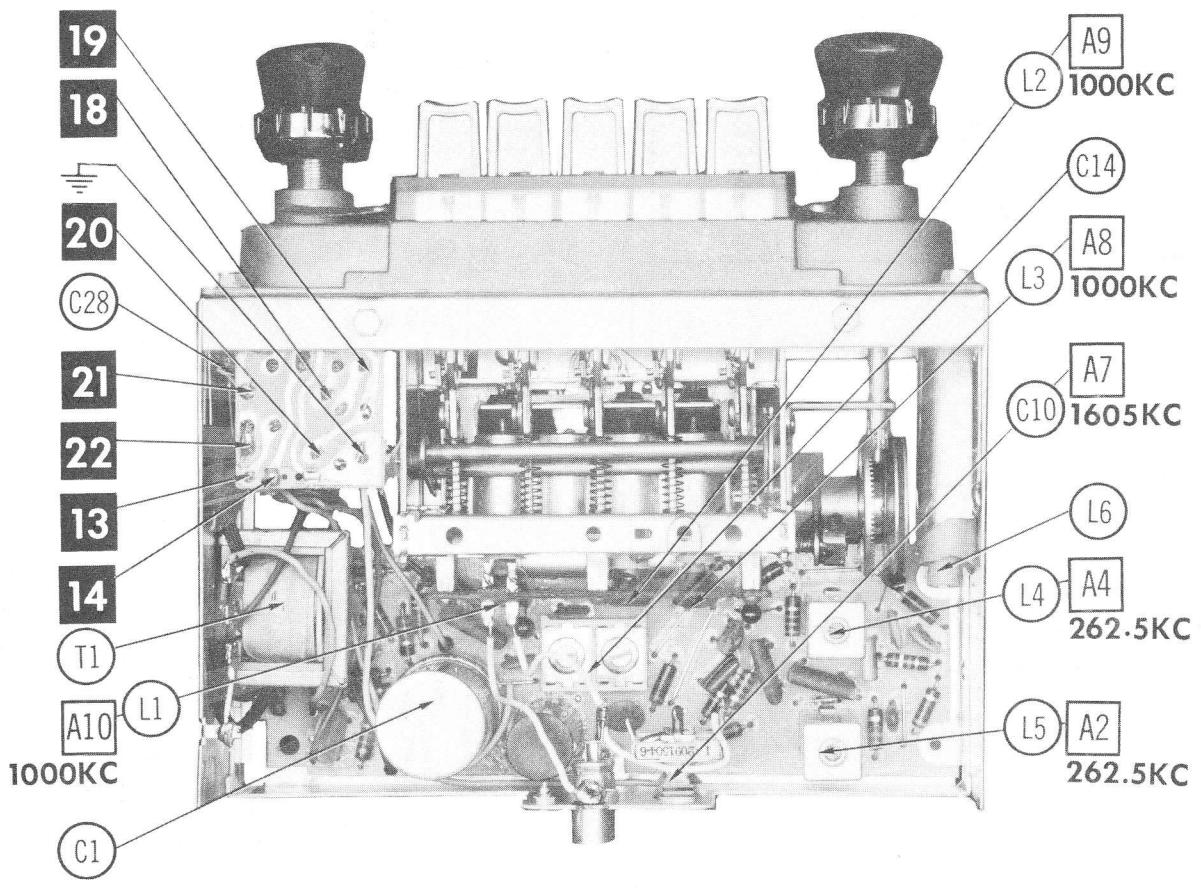
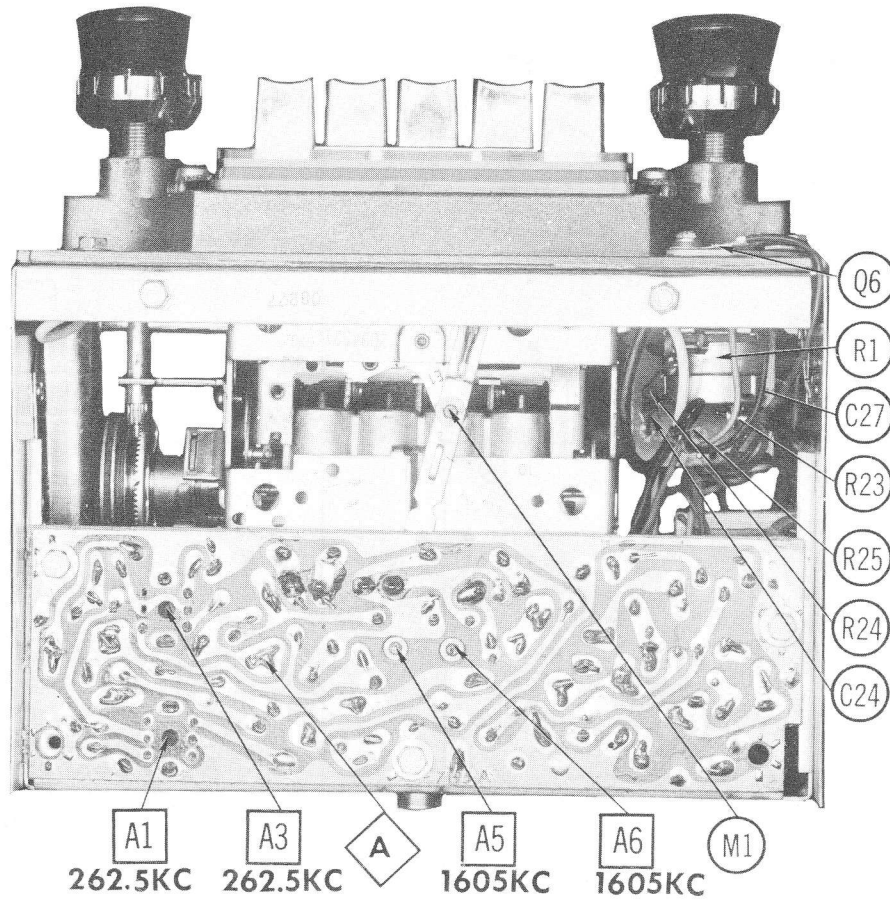
With radio installed in car and antenna fully extended, tune in a weak station near 1400KC and adjust A7 for maximum output.

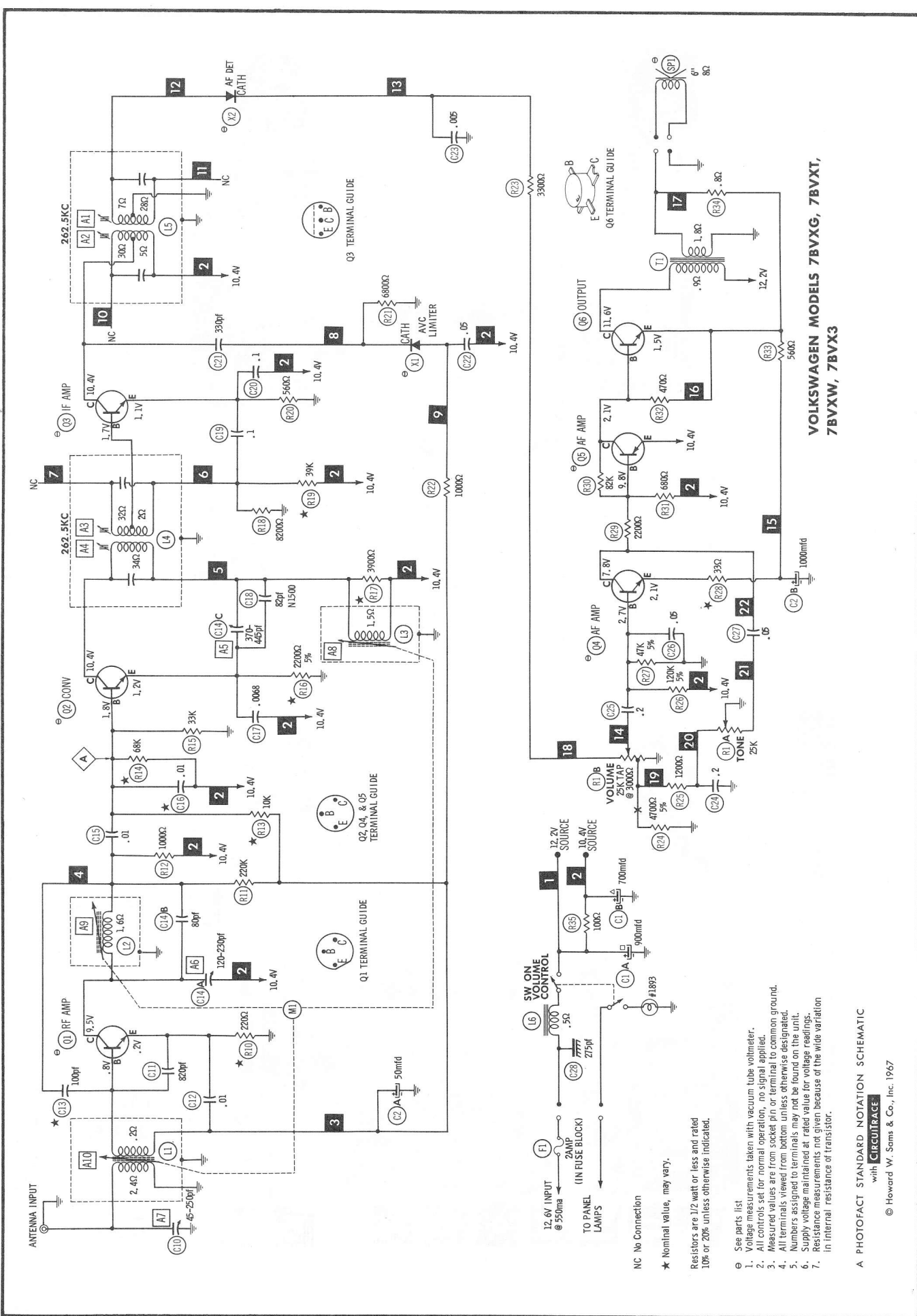
Antenna Adjustment (A7) located, rear middle right side antenna receptacle.



HOWARD W. SAMs & CO., INC. Indianapolis, Indiana 46206

© 1967 Howard W. Sams & Co., Inc. Printed in U. S. of America TD023





**VOLKSWAGEN MODELS 7BVXG, 7BVXT,
7BVXW, 7BVX3**

A PHOTOFACT STANDARD NOTATION SCHEMATIC
with **CIRCUITAGE**

© Howard W. Sams & Co., Inc. 1967

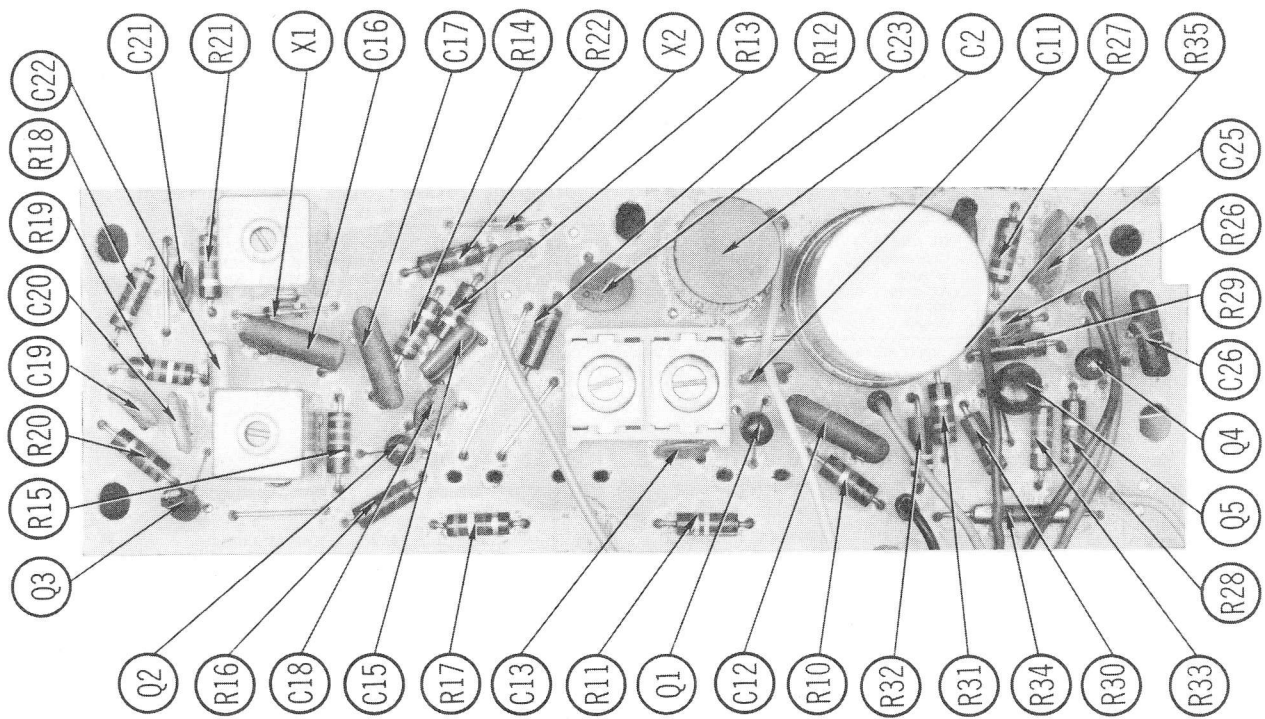
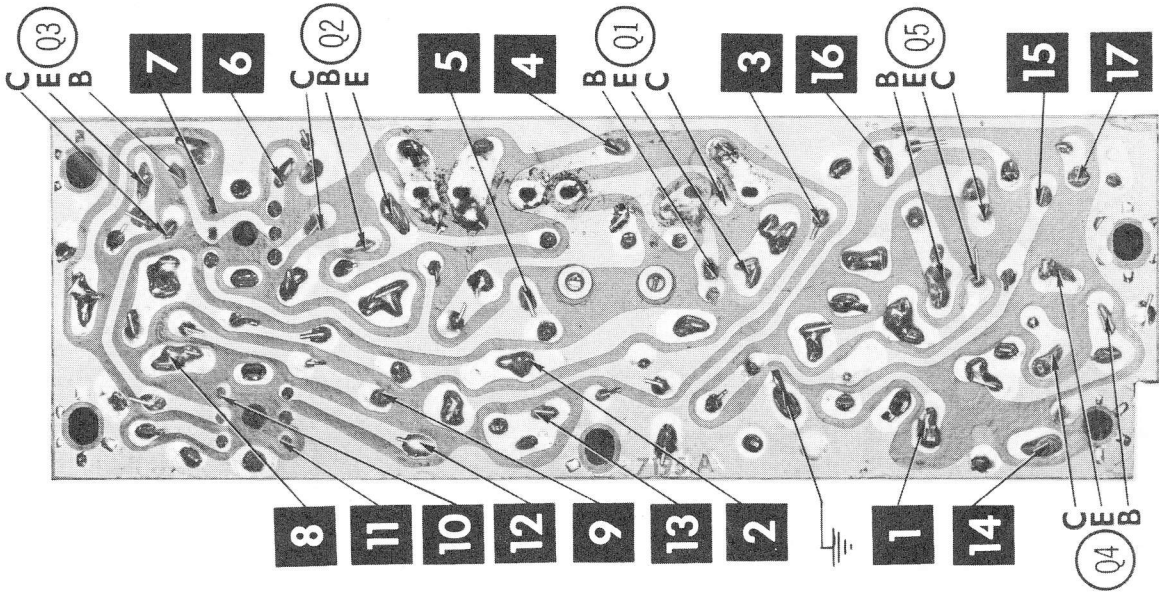
NC No Connection

* Nominal value, may vary.

Resistors are 1/2 watt or less and rated 10% or 20% unless otherwise indicated.

See parts list

1. Voltage measurements taken with vacuum tube voltmeter.
2. All controls set for normal operation, no signal applied.
3. Measured values are from socket pin or terminal to common ground.
4. All terminals viewed from bottom unless otherwise designated.
5. Numbers assigned to terminals may not be found on the unit.
6. Supply voltage maintained at rated value for voltage readings.
7. Resistance measurements not given because of the wide variation in internal resistance of transistor.



VOLKSWAGEN MODELS 7BVXG, 7BVXT, 7BVXW, 7BVX3

A Howard W. Sams CIRCUITRACE® Photo

PARTS LIST AND DESCRIPTION

(When ordering parts, state Model, Part Number, and Description.)

Replacement parts shown may be superseded by the availability of newly introduced replacements. Have your local distributor check Sams COUNTER FACTS for the most up-to-date replacement.

TRANSISTORS

ITEM No.	ORIG. TYPE	USE	REPLACEMENT DATA				BENDIX PART No.	NOTES
			DELCO PART No.	GENERAL ELECTRIC PART No.	INTERNATIONAL RECTIFIER PART No.	RCA PART No.		
Q1		RF Amp	DS-71	GE-11	TR-21	SK-3018	2093308-0704	NPN
Q2		Converter	DS-72	GE-11	TR-21	SK-3018	2093308-0705	NPN
Q3		IF Amp	DS-72	GE-11	TR-21	SK-3018	2093308-0706	NPN
Q4		AF Amp	DS-66	GE-10	TR-21	SK-3020	2092609-0718	NPN
Q5		AF Amp					2057013-0702	NPN
Q6		Output					2057323-0501	NPN

♦ When replacing, apply silicone grease to both sides of insulator. Tighten mounting screws securely.

POWER RECTIFIERS & SIGNAL DIODES

ITEM No.	MEASURED CURRENT	ORIGINAL Part or Type No.	RECTIFIERS & DIODES		RECTIFIERS		
			GENERAL ELECTRIC PART No.	INTERNATIONAL RECTIFIER PART No.	MALLORY PART No.	RCA PART No.	SARKES TARZIAN PART No.
X1		2092055-0001	1N34AS	1N34A			
X2		2092055-0001	1N34AS	1N34A			

ELECTROLYTIC CAPACITORS

ITEM No.	RATING		BENDIX PART No.	REPLACEMENT DATA				SPRAGUE PART No.
	CAP.	VOLT.		AEROVOX PART No.	CORNELL-DUBILIER PART No.	GENERAL ELECTRIC PART No.	MALLORY PART No.	
C1A	900	16	2092983-0708					PCL-2182
B	700	16						
C2A	50	4	2092246-0705	BCD15-3X100050		PET295		
B	1000	4						

CAPACITORS

ITEM No.	RATING	REMARKS	REPLACEMENT DATA					
			AEROVOX PART No.	CENTRALAB PART No.	CORNELL-DUBILIER PART No.	ELMENCO PART No.	MALLORY PART No.	SPRAGUE PART No.
C10	45-250	#2091504-0007				464		
C11	820		DI-820	DD-821	JBY601YP821K	CCD-821	GP382	10TS-T82
C12	.01 100V		DBE4S1	CPR-10000J	DMF2S1	4DP-1-103	PVC211	2TM-S10
C13	100		NPO-DI 100	DTZ-100	CV601CG101K	CCTO-101	CNO310	10TCC-T10
C14A	120-230	#2092422-0712						
B	80							
C	370-445							
C15	.01 100V		DBE4S1	CPR-10000J	DMF2S1	4DP-1-103	PVC211	2TM-S10
C16	.01 100V		DBE4S1	CPR-10000J	DMF2S1	4DP-1-103	PVC211	2TM-S10
C17	.0068 100V		DBE6D68	CPR-6800J	DMF6D68	6DP-1-682	PVC6268	6PS-D68
C18	82 N1500					*	*	
C19	.1		TTD-1	CK-104	HOV101ZV104Z		TA010	TG-P10
C20	.1		TTD-1	CK-104	HOV101ZV104Z		TA010	TG-P10
C21	330		DI-330	DD-331	JBZ601YP331K	CCD-331	GP331	10TS-T33
C22	.05 100V		DBE6S5		DPMS6S5	6DP-3-503	PVC615	6PS-S50
C23	.005		TTD-005	CK-502	HOY101ZV502P	CCD-502	TA250	TG-D50
C24	.2			UK10-204				
C25	.2			UK10-204				
C26	.05 25V		DBE6S5		DPMS6S5	6DP-3-503	PVC615	6PS-S50
C27	.05 100V		DBE6S5		DPMS6S5	6DP-3-503	PVC615	6PS-S50
C28	275	#2093050-0705						

Bendix Part Number

* Not normally in distributor's stock. Available thru distributor on order to manufacturer.

CONTROLS

All wattages 1/2 watt, or less, unless otherwise listed.

ITEM No.	USE	RESIST-ANCE	REPLACEMENT DATA				
			BENDIX PART No.	CENTRALAB PART No.	CLAROSTAT PART No.	CTS-IRC PART No.	MALLORY PART No.
R1A	Tone Volume/Switch	25K 25K Tap @ 3000Ω	2094545-0701	FF2-25K, R14-25K, FFS200, RFS208, AK38, KR-7		† QJ-2199A	

† "CONCENTRIKIT" Equivalent: K8 Kit, with Base Elements and Shafts: B13-120, P17-123 (Panel)
B19-119X, R26-206 (Rear)
R5 (Tab Mount)
76-2 (Switch)

"SNAPTROL" Equivalent: BU7, CF11, CR50T, SF14, SR50, WF.

PARTS LIST AND DESCRIPTION (CONTINUED)

(When ordering parts, state Model, Part Number, and Description.)

Replacement parts shown may be superseded by the availability of newly introduced replacements.
Have your local distributor check Sams COUNTER FACTS for the most up-to-date replacement.

COILS (RF-IF)

ITEM No.	USE	REPLACEMENT DATA				
		BENDIX PART No.	MEISSNER Part No.	MERIT PART No.	MILLER PART No.	WORKMAN PART No.
L1	Antenna	① ① ① 2094080-0711 2094080-0712				
L2	RF					
L3	Oscillator					
L4	Input IF					8006 ②
L5	Output IF					8006

① Part of M1 or (Coil assembly Part Number 2090131-0094)
② Cut off Pin #5

FILTER CHOKE

ITEM No.	RATINGS			REPLACEMENT DATA					NOTES
	CURRENT (Measured)	DC RES.	INDUCTANCE (0 CURRENT 1000~)	BENDIX PART No.	MERIT PART No.	STANCOR PART No.	THORDARSON PART No.	TRIAD PART No.	
L6	600ma	.5Ω	1.5mh	2092050-0725					

TRANSFORMER (AUDIO OUTPUT)

ITEM No.	IMPEDANCE		REPLACEMENT DATA					NOTES
	PRI.	SEC.	BENDIX PART No.	MERIT PART No.	STANCOR PART No.	THORDARSON PART No.	TRIAD PART No.	
T1	16Ω	8Ω	2057317-0701					

SPEAKER

ITEM No.	TYPE			REPLACEMENT DATA			NOTES
				BENDIX PART No.	JENSEN PART No.	QUAM PART No.	
SP1	6"	PM	8Ω	2057037-0701			Model: 7BVXT Model: 7BVXW/G Model: 7BVX3
	5"	PM	8Ω	2094857-0701			
	4" X 8"	PM	8Ω	2057038-0701			

FUSE DEVICES

ITEM No.	DESCRIPTION		REPLACEMENT DATA							
			PART No.		BUSS PART No.		LITTELFUSE PART No.		WORKMAN PART No.	
			DEVICE	HOLDER	DEVICE	HOLDER	DEVICE	HOLDER		DEVICE
F1	AGA	2 Amp	2091811-0007	In Fuse Block	AGA2			3010002		

MISCELLANEOUS

ITEM No.	PART NAME	PART No.	NOTES
M1	Tuner Coil Assembly	2094066-0508 2090131-0094	

CABINETS & CABINET PARTS

(When Ordering Specify Model, Chassis & Color)

ITEM	PART No.	ITEM	PART No.
Knob, Tuning or Volume	2057270-0501	Escutcheon	2094551-0501
Knob, Tone or Dummy	2094480-0001	Dial Pointer	2090129-0078
Dial Glass	2094549-0502	Push Button	2056519-0001

WIRING DATA

General-use Unshielded Hook-up Wire	Use BELDEN No. 8530 (Solid) Available in 12 Colors 8524 (Stranded) Available in 12 Colors
Shielded Hook-up Wire	Use BELDEN No. 8885
Rear Seat Speaker Extension Cable	Use BELDEN No. 8782 (Stranded) Coded Parallel Leads
Bonding Strap	Use BELDEN No. 8661 (3/8 In.) or 8670 (3/4 In.)

VOLKSWAGEN MODELS 7BVXG, 7BVXT, 7BVXW, 7BVX3