



PHOTOFACT[®] with CIRCUITRACE[®]

For Supplier Address See PHOTOFACT Index

NOTE: Manufacturer Part Numbers Shown Are MOTOROLA



VOLKSWAGEN MODELS 8SMVF
 (68 Fastback, Squareback)
 8SMVG
 (68 Karmann-Ghia)
 8SMVT
 (68 Transporter)
 8SMVW
 (68 Sedan)

ALIGNMENT INSTRUCTIONS

Check for specified source voltage.
 Use only enough generator output
 to provide a usable indication.
 Suggested Alignment Tools:

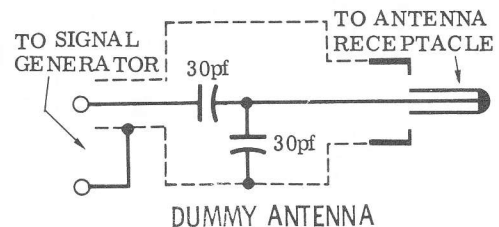
A1 thru A4GENERAL CEMENT #9296,9297,9300
 WALSCO #2510, 2546, 2547
 A5,A6,A7.....GENERAL CEMENT #8290,8868,9087
 WALSCO #2525, 2528, 2587

PUSH-BUTTON ADJUSTMENT

1. Pull button out.
2. Tune manually to desired station.
3. Press button in firmly.
4. Repeat for remaining buttons.

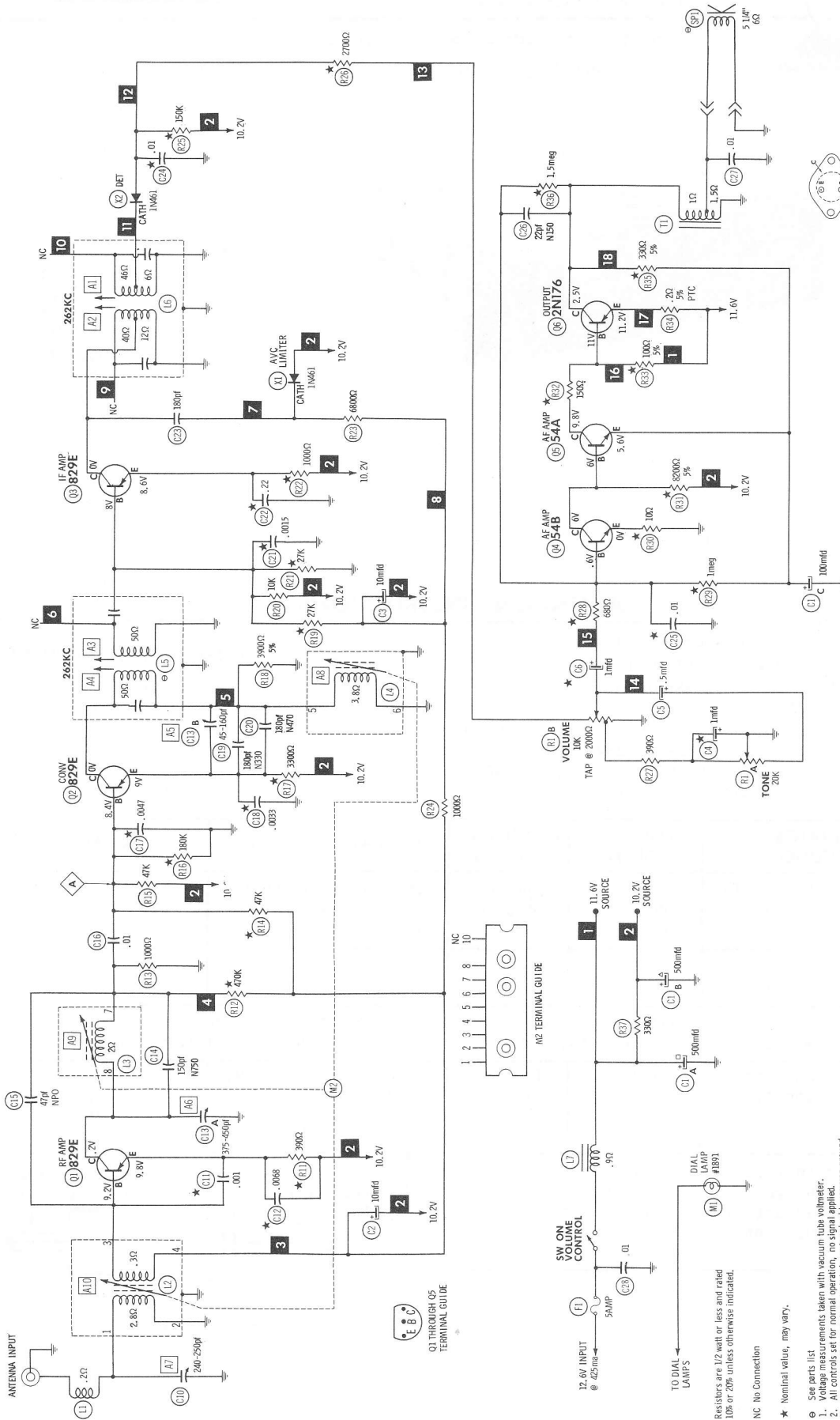
	GENERATOR COUPLING	GENERATOR FREQUENCY	RADIO DIAL SETTING	INDICATOR	ADJUST	REMARKS
1.	High side thru .1mfd to point Δ , low side to ground.	262KC 400 cycle modulation	High freq. end stop.	Output meter across voice coil.	A1,A2, A3,A4	Adjust for maximum.
2.	Thru dummy antenna to antenna input.	1615KC	"	"	A5,A6, A7	"
Step 3 is not necessary unless tuner or associated components have been disturbed. If necessary, back tuning cores (A8,A9,A10) out of coils but not out of forms. Repeat Step 2.						
3.	Thru dummy antenna to antenna input.	1000KC	Tune to signal	Output meter across voice coil	A8,A9, A10	Adjust for maximum. Repeat Steps 2 and 3 until no further improvement is noted

With radio installed in car and antenna extended to desired height, tune in a weak station near 1400KC and adjust A7 for maximum output. Antenna adjustment (A7) is located on right rear cover.

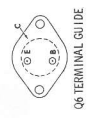


VOLKSWAGEN MODELS 8SMVF/VG/VT/VW

HOWARD W. SAMS & CO., INC. Indianapolis, Indiana 46206



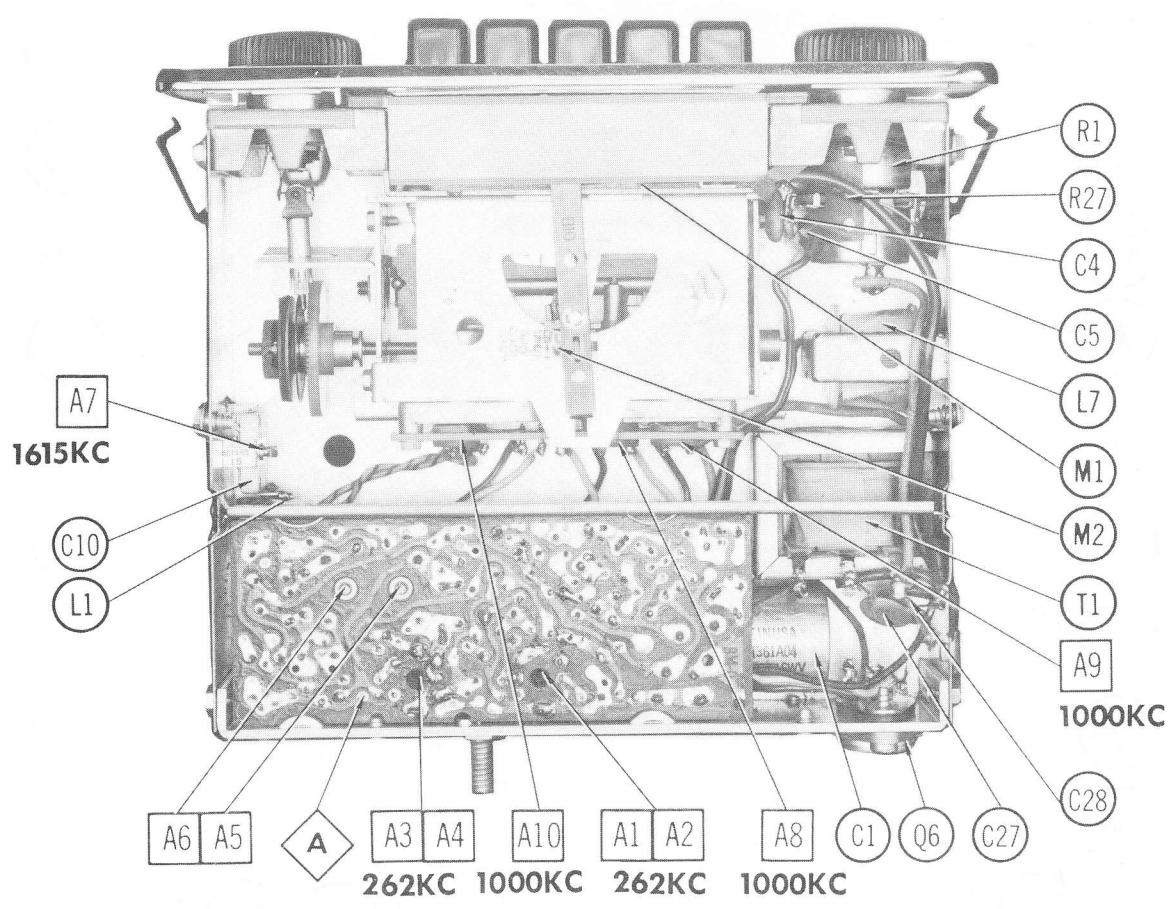
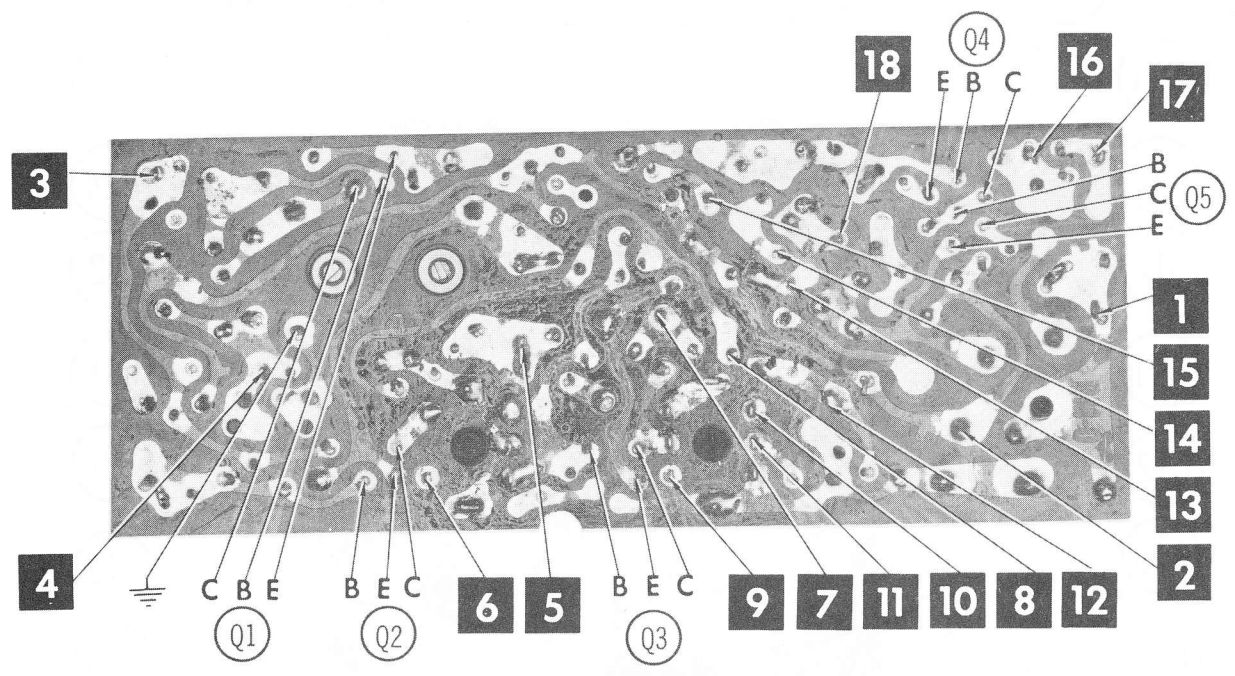
VOLKSWAGEN MODELS 85MV/VG/VT/VW

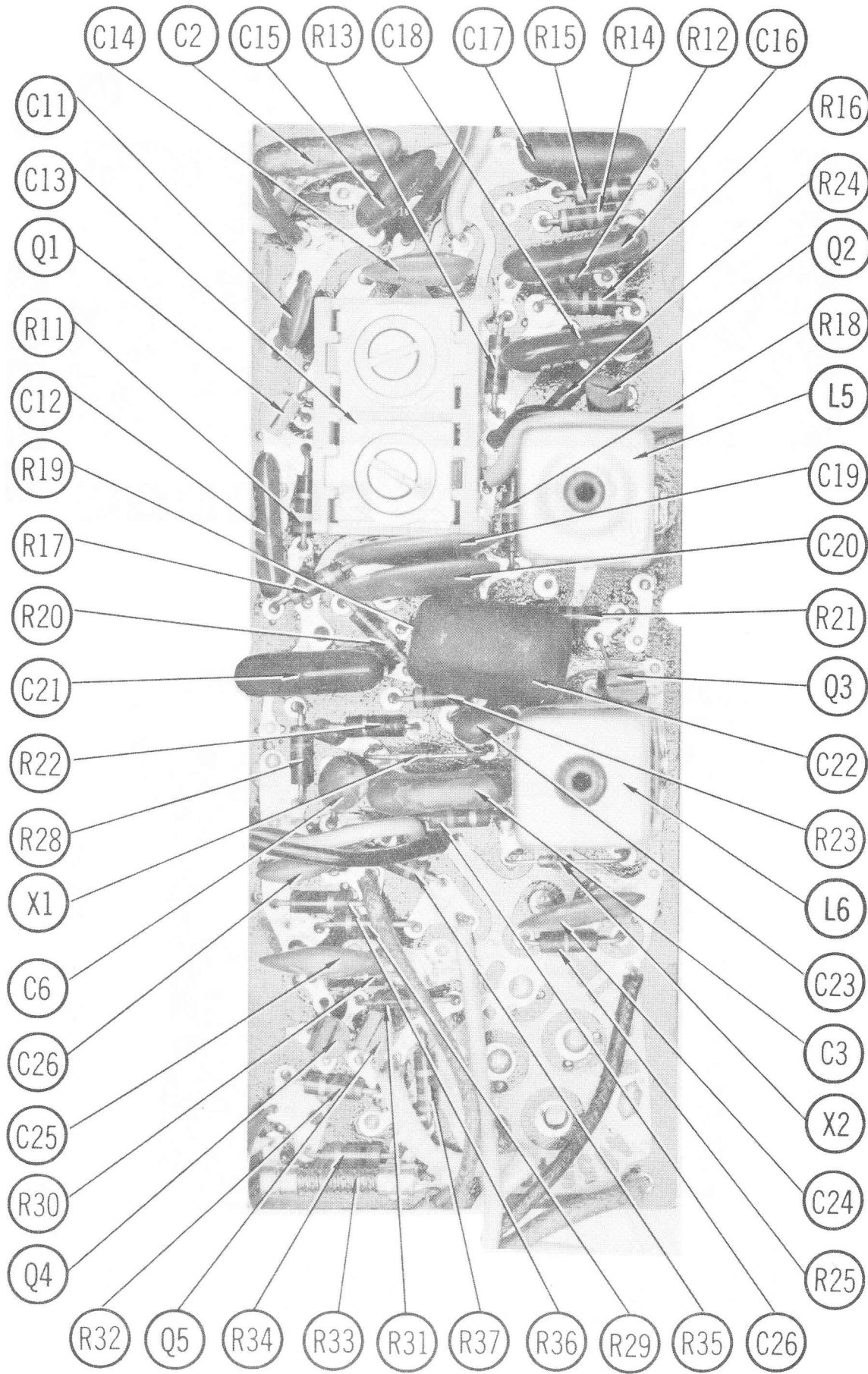


A PHOTOFACT STANDARD NOTATION SCHEMATIC with CIRCUITRACE

- 1. Voltage measurements taken with vacuum tube ohmmeter.
- 2. All control values are from socket pin or terminal to common ground.
- 3. All terminals viewed from bottom unless otherwise designated.
- 4. Numbers assigned to terminals may not be found on the unit.
- 5. Supply voltage maintained at rated value for voltage readings.
- 6. Resistance measurements not given because of the wide variation in internal resistance of transistor.

© Howard W. Sams & Co., Inc. 1959





PARTS LIST AND DESCRIPTION

(When ordering parts, state Model, Part Number, and Description.)

Replacement parts shown may be superseded by the availability of newly introduced replacements.
Have your local distributor check Sams COUNTER FACTS for the most up-to-date replacement.

TRANSISTORS

ITEM No.	TYPE No.	FUNCTION	REPLACEMENT DATA						
			MFG. PART No.	DELCO PART No.	GENERAL ELECTRIC PART No.	INTERNATIONAL RECTIFIER PART No.	MOTOROLA PART No.	RCA PART No.	SYLVANIA PART No.
Q1	829E	RF Amp	48-134914		GE-21	TR-19	HEP57		ECG 106
Q2	829E	Converter	48-134914		GE-21	TR-19	HEP57		ECG 106
Q3	829E	IF Amp	48-134914		GE-21	TR-19	HEP57		ECG 106
Q4	54B	AF Amp	48-134810	DS-66	GE-20	TR-21	HEP725	SK-3020	ECG 123
Q5	54A	AF Amp	48-134846	DS-66	GE-20	TR-21	HEP724	SK-3020	ECG 123
Q6	2N176	Output *	48-134747	DS-520	GE-3	TR-01	HEP624	SK-3009	ECG 104

* When replacing, apply silicone grease to both sides of insulator. Tighten mounting screws securely.

POWER RECTIFIERS & SIGNAL DIODES

ITEM No.	MFG. PART OR TYPE No.	REPLACEMENT RECTIFIERS & DIODES			REPLACEMENT RECTIFIERS	NOTES
		GENERAL ELECTRIC PART No.	INTERNATIONAL RECTIFIER PART No.	SYLVANIA PART No.	RCA PART No.	
X1	1N461 (48S134816)	1N82A	1N82A			
X2	1N461 (48S134816)	1N82A	1N82A	ECG 112		

ELECTROLYTIC CAPACITORS

ITEM No.	RATING	REPLACEMENT DATA						
		PART No.	AEROVOX PART No.	CENTRALAB PART No.	CORNELL-DUBILIER PART No.	GENERAL ELECTRIC PART No.	MALLORY PART No.	SPRAGUE PART No.
C1A	500 16V	23C41361A04	AFH3-00-94.5		CC0018A		WP300.85B	PCL-3026.11
B	500 16V							
C	100 16V							
C2	10 6V	23C43280A03	CRE307A	EA6-10	NLW10-6	MT1-5	MTA10D35	TE-1087
C3	10 6V	23C43280A03	CRE307A	EA6-10	NLW10-6	MT1-5	MTA10D35	TE-1087
C4	1 15V	23C43280A01	BCD15001	EP15-2	NLW1-50	MT1-1	MTA1D50	TE-1148
C5	.5 6V	23C43280A23	CRE450A	UK10-474	TYR13BDR47M	MT1-1	TAS474M015POA	196D474X
C6	1 15V	23C43280A01	BCD15001	EP15-2	NLW1-50	MT1-1	MTA1D50	0035DB
								TE-1148

CAPACITORS

ITEM No.	RATING	REMARKS	REPLACEMENT DATA					
			AEROVOX PART No.	CENTRALAB PART No.	CORNELL-DUBILIER PART No.	ELMENCO PART No.	MALLORY PART No.	SPRAGUE PART No.
C10	240-250	#20-40746A15						
C11	.001							
C12	.0068 100V		DBE6D68	DM-102	JBS601YP102K	CCD-102	SM210	.2SS-D10
C13A	375-450	#20-42280B01		CPR-6800J	DMF6D68	6DP-1-682	PVC6268	6PS-D68
B	45-160							
C14	150 N750		N750-DI 150	DTN-150		CCTN-151	CN7315	10TCU-T15
C15	47 NPO		NPO-DI 47	DTZ-47	CX601CG470K	CCTO-470	CN0447	10TCC-Q47
C16	.01 100V			CPR-10000J	WMF1S1	1DP-1-103	PVC211	225P10391
C17	.0047 100V			CPR-5000J	WMF1D5	1DP-1-502	PVC625	6PS-D50
C18	.0033 100V		DBE6D33	CPR-3300J	DMF6D33	6DP-1-332	PVC6233	6PS-D33
C19	180 N330					*	*	10TCS-T18
C20	180 N330					*	*	10TCS-T18
C21	.0015 100V		DBE6D15	CPR-1500J	DMF6D15	6DP-1-152	PVC6215	6PS-D15
C22	.22 100V				DMF4P22	4DP-5-224	PVC4022	4PS-P22
C23	180			DD-181	JBZ601YP181K	CCD-181	GP318	10TS-T18
C24	.01			CK-103	HOY101ZV103P	CCD-103	TA110	TG-S10
C25	.01			CK-103	HOY101ZV103P	CCD-103	TA110	TG-S10
C26	22 N150					*	*	10TCP-Q22
C27	.01			CK-103	HOY101ZV103P	CCD-103	TA110	TG-S10
C28	.01			CK-103	HOY101ZV103P	CCD-103	TA110	TG-S10

Motorola Part Number

* Not normally in distributor's stock. Available thru distributor on order to manufacturer.

CONTROLS (All wattages 1/2 watt, or less, unless listed)

ITEM No.	FUNCTION	RESIST-ANCE	REPLACEMENT DATA					
			MFG. PART No.	CENTRALAB PART No.	CLAROSTAT PART No.	CTS-IRC PART No.	MALLORY PART No.	
RIA	Tone	20K	18C42299B01	F1-25K,R16-10K,			* QJ-2595A	P24L,3038,
B	Volume/Switch	10K Tap @ 2000		FFS009,RFS100, KR-4				RU14T53,OX562A, IS1000,US41

* "CONCENTRIKIT" Equivalent: K6 Kit with Base Elements and Shafts: B11-119, P14-019 (Panel), B19-116X, R1-100(Rear), 76-1(Switch)
"SNAPTROL" Equivalent: BU5, CF11, CR49T, SF68, SR107, GC

VOLKSWAGEN MODELS 85MVF/VG/VT/VW

PARTS LIST AND DESCRIPTION (CONTINUED)

(When ordering parts, state Model, Part Number, and Description.)

Replacement parts shown may be superseded by the availability of newly introduced replacements.
Have your local distributor check Sams COUNTER FACTS® for the most up-to-date replacement.

RESISTORS (Power and Special)

ITEM No.	RATING	REPLACEMENT DATA			ITEM No.	RATING	REPLACEMENT DATA		
		IRC PART No.	WORKMAN PART No.	MFR. PART No.			IRC PART No.	WORKMAN PART No.	MFR. PART No.
R34	.2 (PTC)			17-4075A03					

COILS (RF-IF)

ITEM No.	USE	REPLACEMENT DATA			
		PART No.	MEISSNER PART No.	MILLER PART No.	WORKMAN PART No.
L1	RF Choke (1.5uh)	24C40788A04	19-1001	4604	T856
L2	Antenna	(1)			
L3	RF	(1)			
L4	Osc.	(1)			
L5	Input IF	24D40310B13			
L6	Output IF	24D40310B14			

(1) Part of M2.

FILTER CHOKE

ITEM No.	RATINGS			REPLACEMENT DATA				NOTES
	CURRENT (Measured)	DC RES.	INDUCTANCE (0 CURRENT 1000~)	PART No.	MERIT PART No.	STANCOR PART No.	THORDARSON PART No.	
L7	425ma	1	11mh	25D40755B07	C4095	TC-2	TR-154	TY17XT

TRANSFORMER (Audio Output)

ITEM No.	IMPEDANCE		REPLACEMENT DATA				NOTES
	PRI.	SEC.	MFR. PART No.	MERIT PART No.	STANCOR PART No.	THORDARSON PART No.	
T1	20 Tap	8	25D41586B09				

SPEAKER

ITEM No.	TYPE	REPLACEMENT DATA			NOTES
		PART No.	JENSEN PART No.	QUAM PART No.	
SP1	5" PM 8 ohms 4" x 8" PM 8 ohms	50C41265B01 50C41451B01	P4X8V8	5A15Z8 48A2Z8	Model's 8SMVG/T/W Model 8SMVF

FUSE DEVICES

ITEM No.	DESCRIPTION	REPLACEMENT DATA						
		PART No.		BUSS PART No.		LITTELFUSE PART No.		WORKMAN PART No.
		DEVICE	HOLDER	DEVICE	HOLDER	DEVICE	HOLDER	DEVICE
F1	AGA 5 Amp	65R122345	9C41095A20	AGA	HAF	301005	150145	

MISCELLANEOUS

ITEM No.	PART NAME	PART No.	NOTES
M1	Dial Lamp	65-533810	CHICAGO MINIATURE Replacement #CM-1891 AT-666 (Complete)
M2	Tuner	1-43500A44	
	Coil Assembly	1-42200B52	

CABINETS & CABINET PARTS (When ordering specify model, chassis & color)

ITEM	PART No.	ITEM	PART No.
Dial Glass	61-42179B01	Dial Pointer	52-40244B26
Knob, Tuning or Volume	36-42230B01	Push Button	38-42185B01
Knob, Tone	36-42182B01		

WIRING DATA

General-use Unshielded Hook-up Wire	Use BELDEN No. 8530 (Solid) Available in 12 Colors 8524 (Stranded) Available in 12 Colors
Shielded Hook-up Wire	Use BELDEN No. 8885
Rear Seat Speaker Extension Cable	Use BELDEN No. 8782 (Stranded) Coded Parallel Leads
Bonding Strap	Use BELDEN No. 8661 (3/8 In.) or 8670 (3/4 In.)