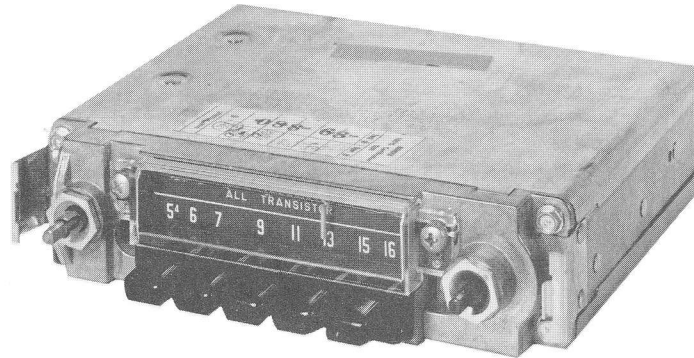




PHOTOFACT[®] with CIRCUITRACE[®]

For Supplier Address See PHOTOFACT Index
 NOTE: Manufacturer Part Numbers shown are BENDIX.



Model
 8BVG 1968 Karmann Ghia
 8BVT 1968 Type 2
 8BVW 1968 Sedan
 8BV3 1968 Type 3

ALIGNMENT INSTRUCTIONS

Check for specified source voltage.
 Use only enough generator output
 to provide a usable indication.
 Suggested Alignment Tools:

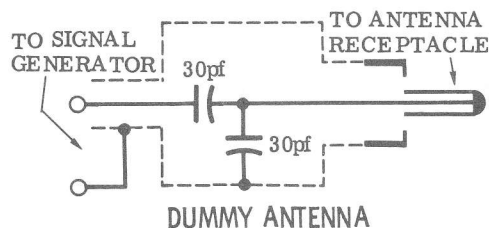
A1 thru A4. GENERAL CEMENT: 9296,9297,9300
 WALSCO: 2510,2546,2547
 A5,A6,A7. GENERAL CEMENT: 8271,8868,9087
 WALSCO: 2521,2528,2587

PUSH-BUTTON ADJUSTMENT

1. Pull button out.
2. Tune manually to desired station.
3. Press button in firmly.
4. Repeat for remaining buttons.

	GENERATOR COUPLING	GENERATOR FREQUENCY	RADIO DIAL SETTING	INDICATOR	ADJUST	REMARKS
1.	High side thru .1mfd to point Δ , low side to ground.	262.5KC 400 cycle modulation	High freq. end stop.	Output meter across voice coil.	A1,A2, A3,A4	Adjust for maximum.
2.	Thru dummy antenna to antenna input.	1605KC	"	"	A5,A6, A7	"
Step 3 is not necessary unless tuner or associated components have been disturbed. If necessary, back tuning cores (A8,A9,A10) out of coils but not out of forms. Repeat Step 2.						
3.	Thru dummy antenna to antenna input.	1000KC	Tune to signal	Output meter across voice coil	A8,A9, A10	Adjust for maximum. Repeat Steps 2 and 3 until no further improvement is noted.

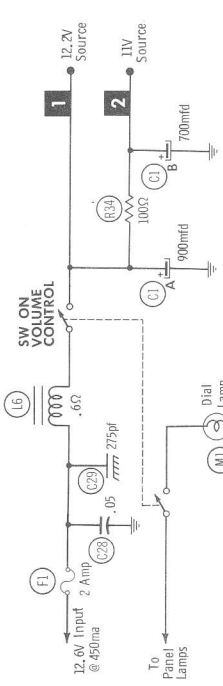
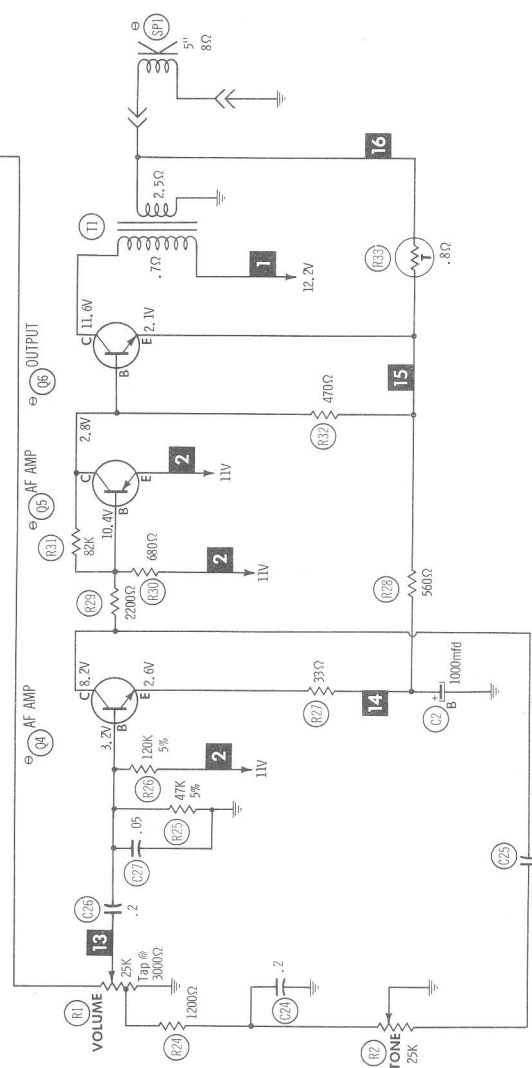
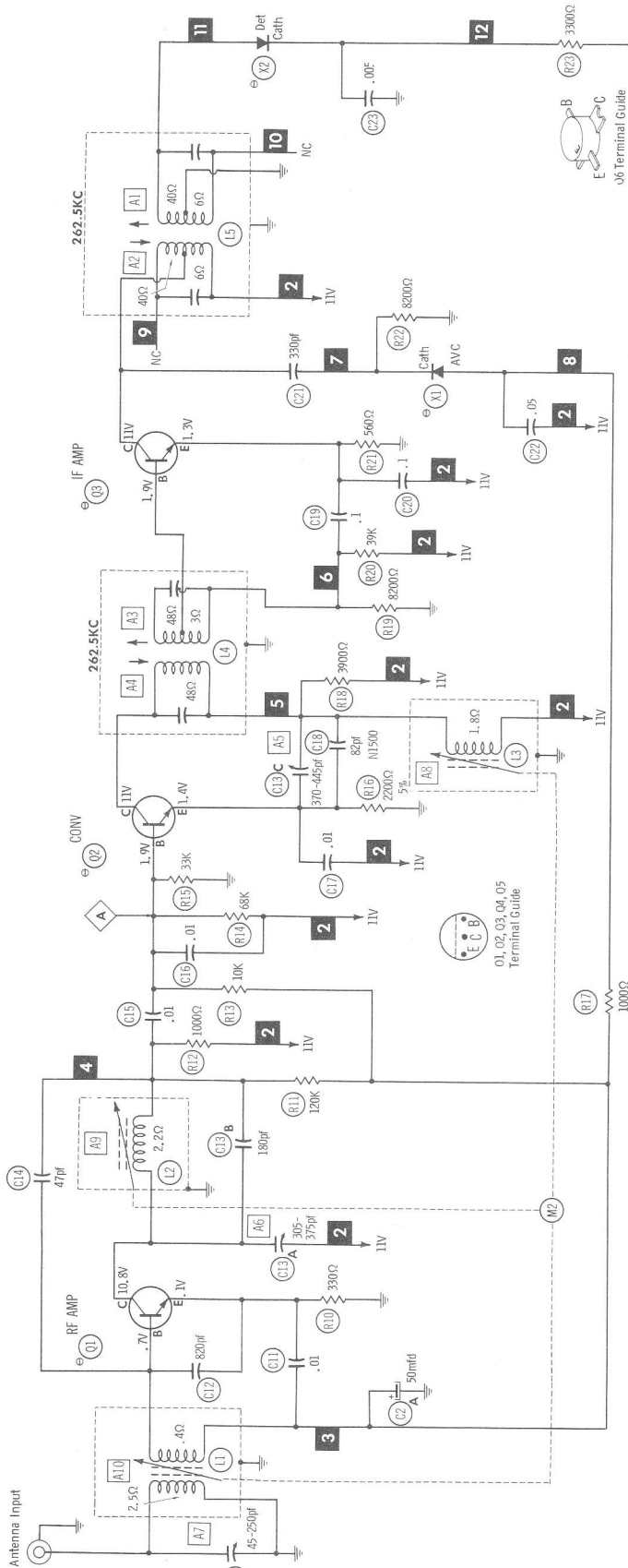
With radio installed in car and antenna extended to desired height, tune in a weak station near 1400KC and adjust A7 for maximum output. Antenna adjustment (A7) is located on bottom right rear corner.



VOLKSWAGEN MODELS 8BVG, 8BVT, 8BVW, 8BV3

HOWARD W. SAMS & CO., INC. Indianapolis, Indiana 46206

© 1969 Howard W. Sams & Co., Inc. Printed in U. S. of America TD416



Resistors are 1/2 watt or less and rated 10% or 20% unless otherwise indicated.

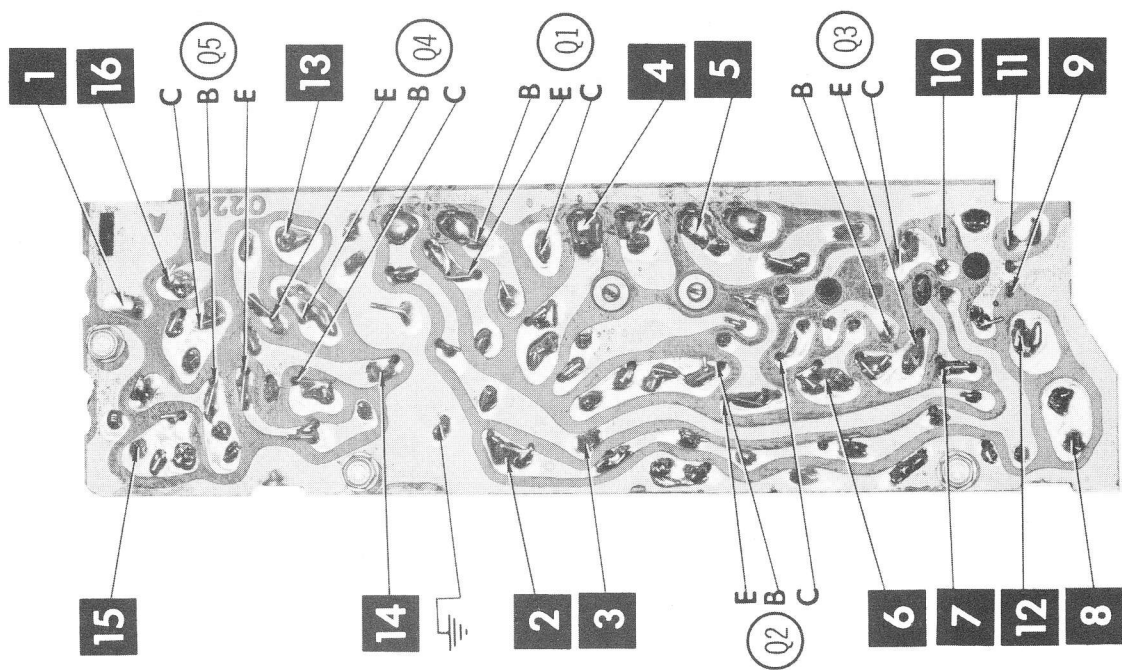
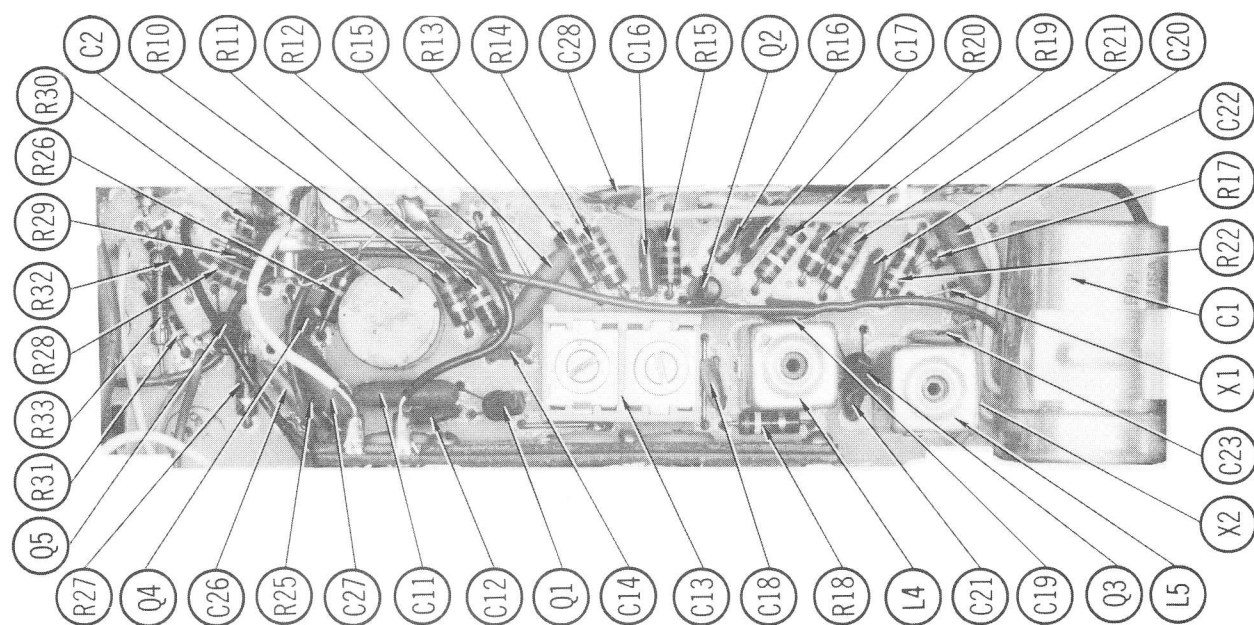
NC No Connection

- 1. See parts list
- 2. Voltage measurements taken with vacuum tube voltmeter.
- 3. All controls set for normal operation, no signal applied.
- 4. Resistor values are from socket pin or terminal to common ground.
- 5. All terminals viewed from bottom unless otherwise designated.
- 6. Number's assigned to terminals may not be found on the unit.
- 7. Supply voltage maintained at rated value for voltage readings.
- 8. Resistance measurements not given because of the wide variation in internal resistance of transistor.

A PHOTOFACET STANDARD NOTATION SCHEMATIC with **CIRCUITAGE**

© Howard W. Sams & Co., Inc. 1969

VOLKSWAGEN MODELS 88VG, 88VT, 88VW, 88VY3



VOLKSWAGEN MODELS 8BVG, 8BVT, 8BWW, 8BV3

A Howard W. Sams CIRCUITRACE Photo

1605KC

A7

C10

1000KC

T1

A10

C24

R24

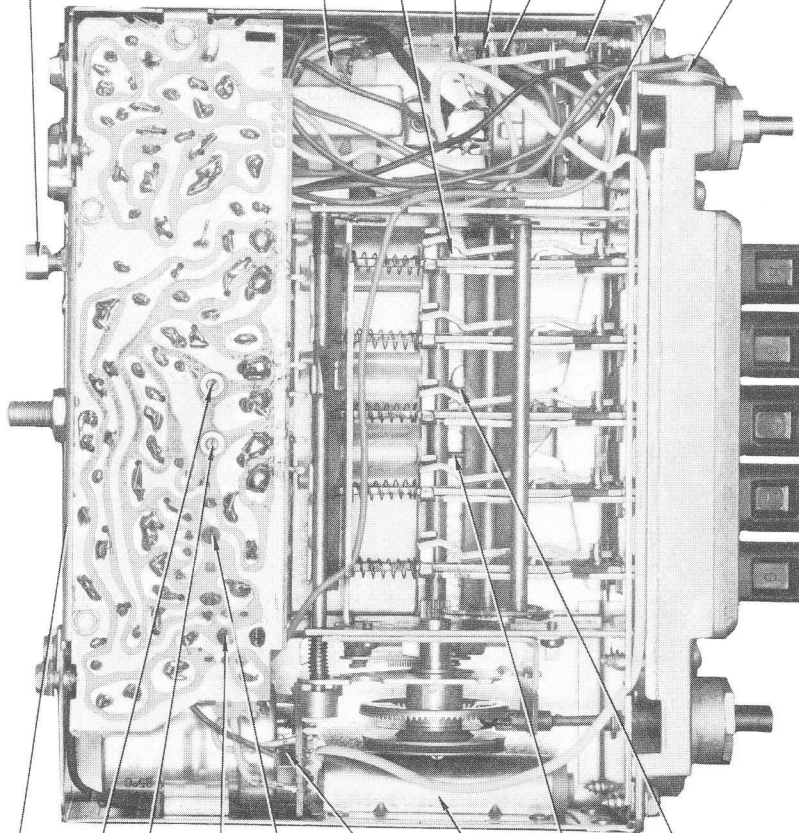
R23

C25

R1

Q6

L1



C29

A6

A5

A1

A2

A3

A4

R34

L6

L3

A8

L2

A9

1605KC 262.5KC 262.5KC

1000KC 1000KC

PARTS LIST AND DESCRIPTION

(When ordering parts, state Model, Part Number, and Description.)

Replacement parts shown may be superseded by the availability of newly introduced replacements.
Have your local distributor check Sams COUNTER FACTS® for the most up-to-date replacement.

TRANSISTORS

ITEM No.	TYPE No.	FUNCTION	REPLACEMENT DATA						
			MFR. PART No.	DELCO PART No.	GENERAL ELECTRIC PART No.	INTERNATIONAL RECTIFIER PART No.	MOTOROLA PART No.	RCA PART No.	SYLVANIA PART No.
Q1		RF Amp	2093308-0704	DS-71	GE-20	TR-22	HEP54	SK-3018	ECG 107
Q2		Converter	2093308-0705	DS-72	GE-20	TR-22	HEP54	SK-3018	ECG 107
Q3		IF Amp	2093308-0706	DS-72	GE-20	TR-22	HEP54	SK-3018	ECG 107
Q4		AF Amp	2092609-0718	DS-66	GE-10	TR-21	HEP54	SK-3020	ECG 123
Q5		AF Amp	2057013-0702	DS-83	GE-21	TR-19	HEP51	SK-3025	ECG 129
Q6		Output	4080187-0507*						

* Includes Mounting Base.

POWER RECTIFIERS & SIGNAL DIODES

ITEM No.	MFR. PART OR TYPE No.	REPLACEMENT RECTIFIERS & DIODES			REPLACEMENT RECTIFIERS		NOTES
		GENERAL ELECTRIC PART No.	INTERNATIONAL RECTIFIER PART No.	SYLVANIA PART No.	RCA PART No.	SARKES TARZIAN PART No.	
X1	2092055-0001	1N34AS	1N34	ECG 109			
X2	2092055-0001	1N34AS	1N34	ECG 109			

ELECTROLYTIC CAPACITORS

ITEM No.	RATING	REPLACEMENT DATA						
		PART No.	AEROVOX PART No.	CENTRALAB PART No.	CORNELL-DUBILIER PART No.	GENERAL ELECTRIC PART No.	MALLORY PART No.	SPRAGUE PART No.
C1A	900 16V	2092983-0711	PWH2-02-065					
B	700 16V							
C2A	50 4V	2092246-0710						
B	1000 4V							

CAPACITORS

ITEM No.	RATING	REMARKS	REPLACEMENT DATA					
			AEROVOX PART No.	CENTRALAB PART No.	CORNELL-DUBILIER PART No.	ELMENCO PART No.	MALLORY PART No.	SPRAGUE PART No.
C10	45-250	#219083-0010				S464		
C11	.01 100V		DBE6S1	CPR-10000J	DMF2S1	4DP-1-103	PVC211	2TM-S10
C12	820		GPD X5F821K	DD-821	JBY601Y821K	CCD-821	GP382	10TS-T82
C13A	305-375	#2092422-0718						
B	180							
C	370-445							
C14	47		NPO-DI 47	DTZ-47	CX601CG470K	CCTO-47	CN0447	10TCC-Q47
C15	.01 100V		DBE6S1	CPR-10000J	DMF2S1	4DP-1-103	PVC211	2TM-S10
C16	.01 100V		DBE6S1	CPR-10000J	DMF2S1	4DP-1-103	PVC211	2TM-S10
C17	.01 100V		DBE6S1	CPR-10000J	DMF2S1	4DP-1-103	PVC211	2TM-S10
C18	82 N1500					*	*	10TCW-Q82
C19	.1		TTP-1	CK-104	HOV101ZV104Z		TA010	TG-P10
C20	.1		TTP-1	CK-104	HOV101ZV104Z		TA010	TG-P10
C21	330		GPD X5F331K	DD-331	JBZ601YP331K	CCD-331	GP333	5GA-T33
C22	.05 25V		DBE6S5	DD-503	DPMS6S5	6DP-3-503	PVC615	6PS-S50
C23	.005		GPD X5R502K	DD-502	JBT601YP502K	CCD-502	JF250	10TS-D50
C24	.2			UK-204	HCZ3ROXR224P		MAG3022	HY-125
C25	.05 25V		DBE6S5	DD-503	DPMS6S5	6DP-3-503	PVC615	6PS-S50
C26	.2			UK-204	HCZ3ROXR224P		MAG3022	HY-125
C27	.05 100V		DBE6S5	DD-503	DPMS6S5	6DP-3-503	PVC615	6PS-S50
C28	.05		GPD Z5V503P	DD-503	HOV101ZV503Z	CCD-503	GP150	5GA-S50
C29	275	#2093050-0705						

Bendix Part Number. * Not normally in distributor's stock. Available thru distributor on order to manufacturer.

CONTROLS (All wattages 1/2 watt, or less, unless listed)

ITEM No.	FUNCTION	RESISTANCE	REPLACEMENT DATA				
			MFR. PART No.	CENTRALAB PART No.	CLAROSTAT PART No.	CTS-IRC PART No.	MALLORY PART No.
R1A	Tone	25K	4080288-0701				
B	Volume/Switch	25K Tap @ 3000 ohms					

RESISTORS (Power and Special)

ITEM No.	RATING	REPLACEMENT DATA			ITEM No.	RATING	REPLACEMENT DATA		
		IRC PART No.	WORKMAN PART No.	MFR. PART No.			IRC PART No.	WORKMAN PART No.	MFR. PART No.
R33	.8 ohms 2W PTC)			2090948-0026					

VOLKSWAGEN MODELS 88VG, 88VT, 88VW, 88V3

PARTS LIST AND DESCRIPTION (CONTINUED)

(When ordering parts, state Model, Part Number, and Description.)

Replacement parts shown may be superseded by the availability of newly introduced replacements.
Have your local distributor check Sams COUNTER FACTS® for the most up-to-date replacement.

COILS (RF-IF)

ITEM No.	USE	REPLACEMENT DATA			
		PART No.	MEISSNER PART No.	MILLER PART No.	WORKMAN PART No.
L1	Antenna	(1)			
L2	RF	(1)			
L3	Osc	(1)			
L4	Input	2057715-0701			
L5	Output IF	2057715-0703			

(1) Part of M2 (or Coil Assembly Part Number 2057171-0008).

FILTER CHOKE

ITEM No.	RATINGS			REPLACEMENT DATA					NOTES
	CURRENT (Measured)	DC RES.	INDUCTANCE (0 CURRENT 1000~)	PART No.	MERIT PART No.	STANCOR PART No.	THORDARSON PART No.	TRIAD PART No.	
L6	450ma	.6	1.5mh	2092050-737					

SPEAKER

ITEM No.	TYPE		REPLACEMENT DATA			NOTES
			PART No.	JENSEN PART No.	QUAM PART No.	
SP1	5" PM	8 ohms	2094857-0701		5A1Z8	Models 8BVG, 8BVT, 8BVW
	4" x 8" PM	8 ohms	2057038-0701	P4X8V8	48A2Z8	Model 8BV3

TRANSFORMER (Audio Output)

ITEM No.	IMPEDANCE		REPLACEMENT DATA				NOTES
	PRI.	SEC.	MFGR. PART No.	MERIT PART No.	STANCOR PART No.	THORDARSON PART No.	
T1	17 ohms	8 ohms	2057317-0705				

FUSE DEVICES

ITEM No.	DESCRIPTION	REPLACEMENT DATA						
		PART No.		BUSS PART No.		LITTELFUSE PART No.		WORKMAN PART No.
		DEVICE	HOLDER	DEVICE	HOLDER	DEVICE	HOLDER	DEVICE
F1	AGA 2 Amp	2091811-0007	2094384-0540	AGA 2	HAF	301002	155004	

MISCELLANEOUS

ITEM No.	PART NAME	PART No.	NOTES
M1	Dial Lamp	2091877-0004	CHICAGO MINIATURE Replacement CM-1892
M2	Tuner	2094851-0513	
	Coil Assembly	2057171-0008	

CABINETS & CABINET PARTS (When ordering specify model, chassis & color)

ITEM	PART No.	ITEM	PART No.
Escutcheon	4080271-0501	Push Button	4080215-0001
Dial Glass	4080216-0001	Knob, Tuning or Volume	4080232-0501
Dial Pointer	4080309-0001	Knob, Tone	4080233-0001

WIRING DATA

General-use Unshielded Hook-up Wire	Use BELDEN No. 8530 (Solid) Available in 12 Colors
	8524 (Stranded) Available in 12 Colors
Shielded Hook-up Wire	Use BELDEN No. 8885
Rear Seat Speaker Extension Cable	Use BELDEN No. 8782 (Stranded) Coded Parallel Leads
Bonding Strap	Use BELDEN No. 8661 (3/8 In.) or 8670 (3/4 In.)