



PHOTOFACT[®] with

CIRCUITRACE[®]

TRADE NAME : Volkswagen Models:
 6BVG (1966 Karmann Ghia)
 6BVT (1966 Transporter)
 6BVW (1966 Sedan)
 6BV3 (1966 Type 3 Vehicles)

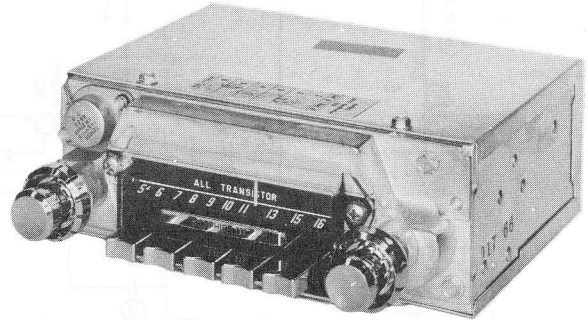
SUPPLIER : For Current Address, See Annual Index.

TYPE SET : 6 Transistor AM Receiver

POWER SUPPLY : 6 Volt Storage Battery

RATING : .720 Amp. @ 6.3 Volts DC

TUNING RANGE : BROADCAST 540-1605KC



ALIGNMENT INSTRUCTIONS

Check for specified source voltage.
 Use only enough generator output to provide a usable indication.
 Suggested Alignment Tools:

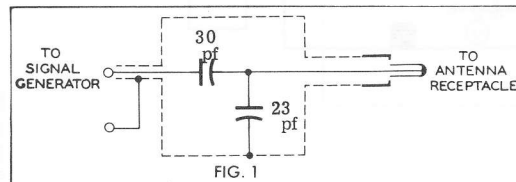
A1 thru A7. GENERAL CEMENT: 9440
 WALSCO: 2501

PUSH-BUTTON ADJUSTMENT

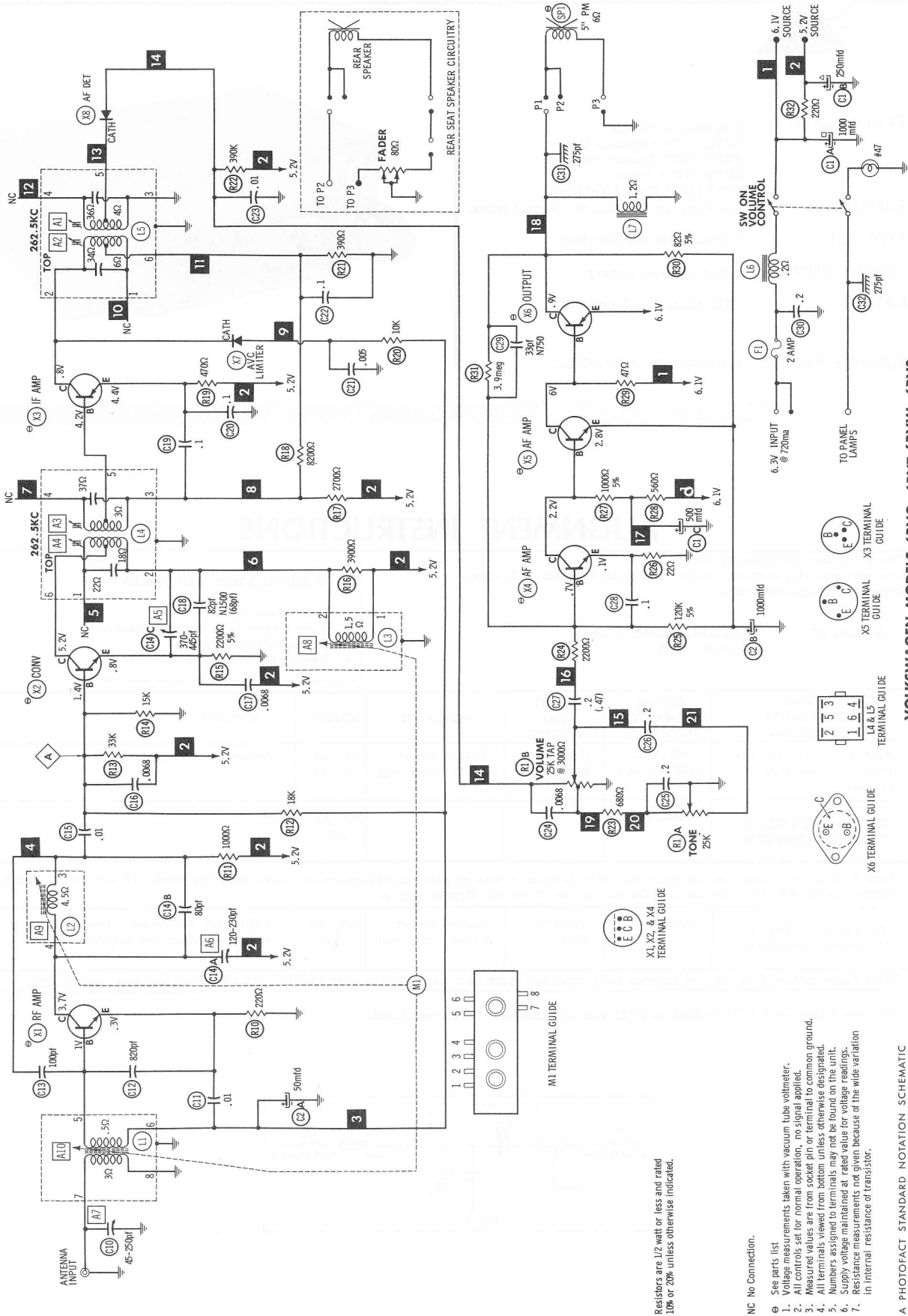
1. Pull button out.
2. Tune manually to desired station.
3. Press button in firmly.
4. Repeat for remaining buttons.

	SIGNAL GENERATOR COUPLING	SIGNAL GENERATOR FREQUENCY	RADIO DIAL SETTING	INDICATOR	ADJUST	REMARKS
1.	High side thru .1mfd to point Δ , low side to ground.	262.5KC (400% Mod.)	High Freq. End Stop.	Output Meter across voice coil.	A1, A2, A3, A4	Adjust for maximum.
2.	Thru dummy (Fig. 1) to antenna receptacle.	1605KC	"	"	A5, A6, A7	"
Step 3 is not necessary unless tuner has been tampered with or associated components have been replaced. IF necessary, back tuning cores (A8, A9, A10) out of coils but not out of forms. Repeat step 2.						
3.	Thru dummy (Fig. 1) to antenna receptacle.	1000KC	Tune to Signal.	Output Meter across voice coil.	A8, A9, A10	Adjust for maximum. Repeat steps 2 & 3 until no further improvement is noted.
With radio installed in car and antenna fully extended, tune in a weak station near 1400KC and adjust A7 for maximum output.						

Antenna Adjustment (A7) located on right side of radio next to Antenna Input.



VOLKSWAGEN MODELS 6BVG, 6BVT, 6BVW, 6BV3



VOLKSWAGEN MODELS 68VG, 68VT, 68BVW, 68BV3

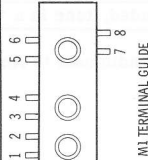
A PHOTOFACT STANDARD NOTATION SCHEMATIC with **CIRCUITRACE**

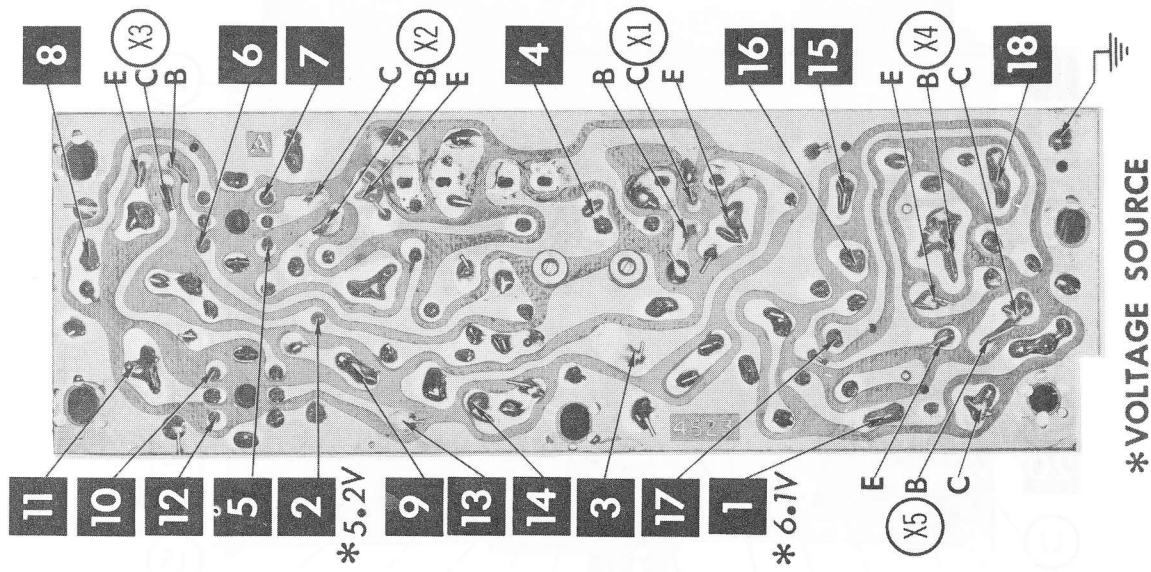
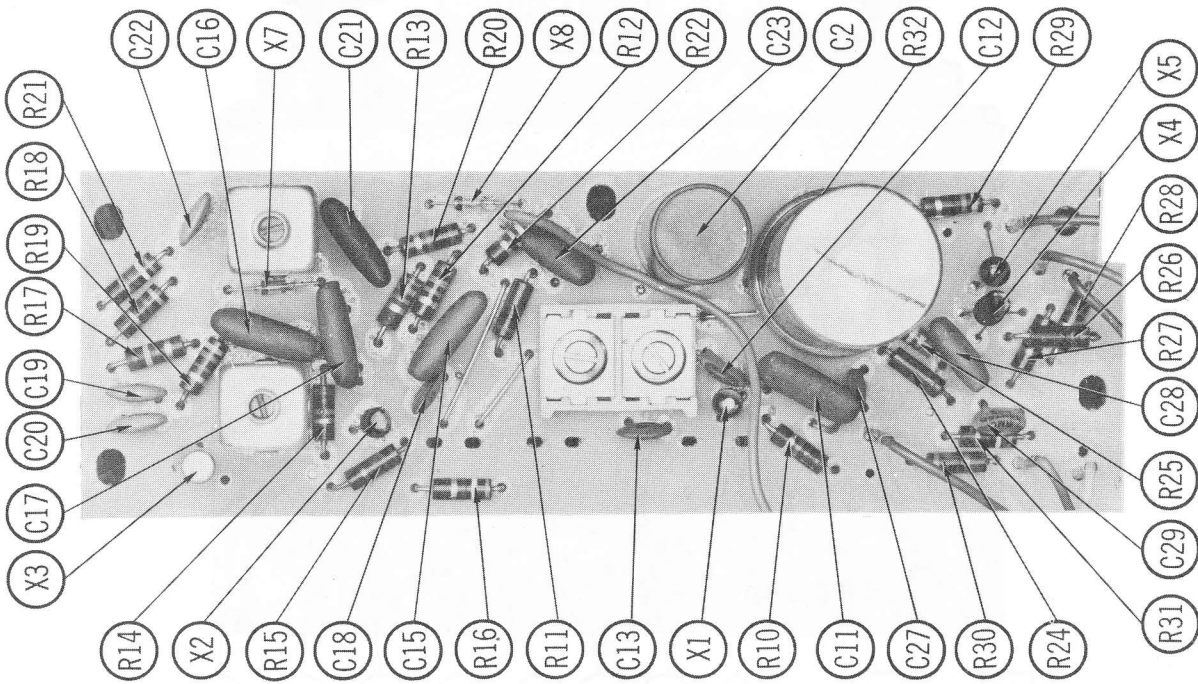
© Howard W. Sams & Co., Inc. 1966

NC No Connection.

- ⊕ See parts list
- 1. Voltage measurements taken with vacuum tube voltmeter.
- 2. All controls set for normal operation, no signal applied.
- 3. Measured values are from socket pin or terminal to common ground.
- 4. All terminals viewed from bottom unless otherwise designated.
- 5. Numbers assigned to terminals may not be found on the unit.
- 6. Supply voltage maintained at rated value for voltage readings.
- 7. Resistance measurements not given because of the wide variation in internal resistance of transistor.

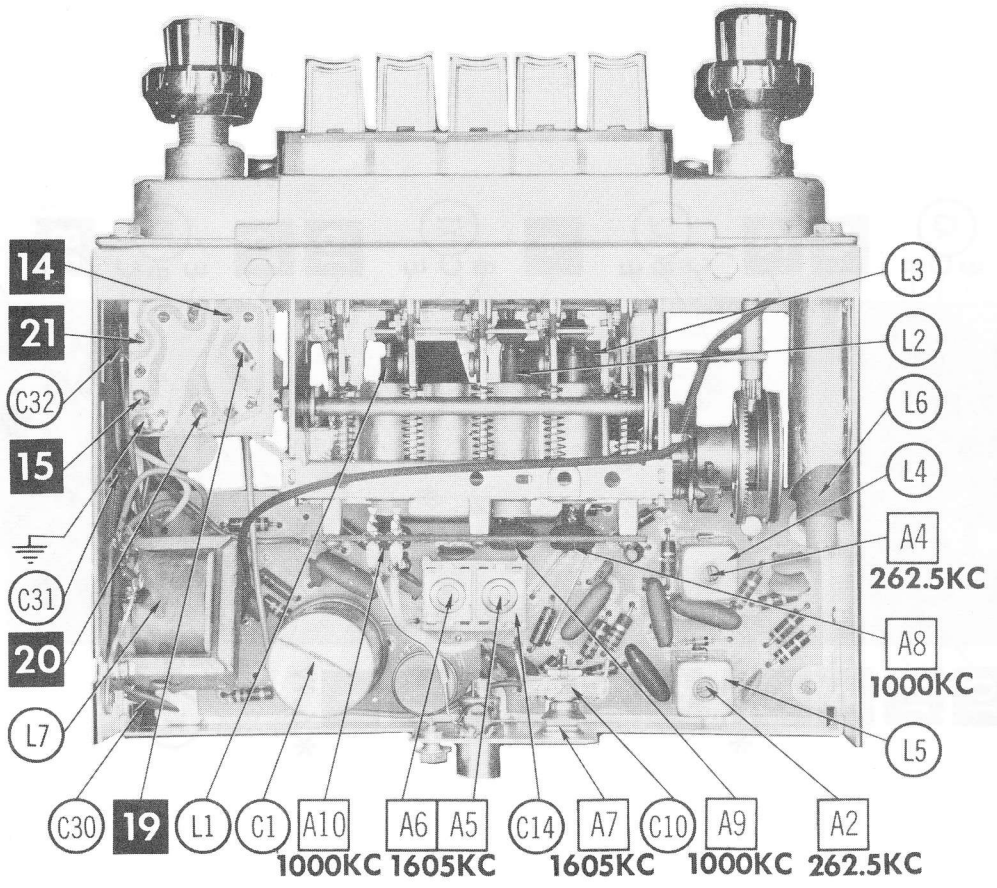
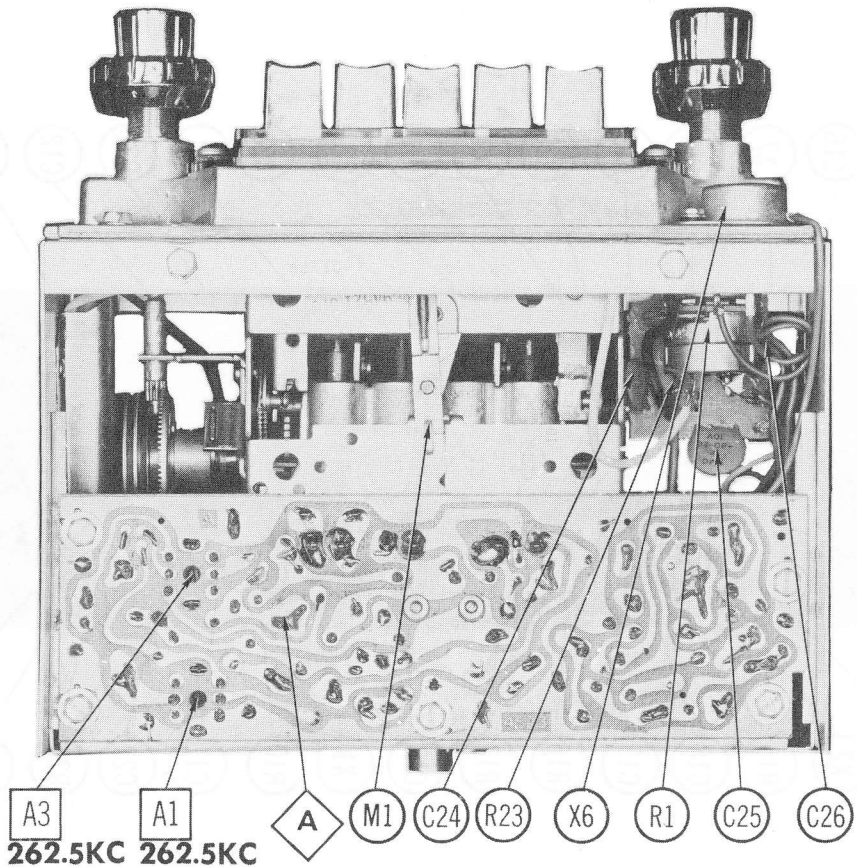
Resistors are 1/2 watt or less and rated 10% or 20% unless otherwise indicated.





VOLKSWAGEN MODELS 6BVG, 6BVT, 6BVW, 6BV3

A Howard W. Sams CIRCUITRACE® Photo



A Howard W. Sams CIRCUITRACE® Photo

PARTS LIST AND DESCRIPTION

(When ordering parts, state Model, Part Number, and Description.)

Replacement parts shown may be superseded by the availability of newly introduced replacements.
Have your local distributor check Sams COUNTER FACTS® for the most up-to-date replacement.

TRANSISTORS

ITEM No.	ORIG. TYPE	USE	REPLACEMENT DATA			NOTES	BENDIX PART No.
			DELCO PART No.	GENERAL ELECTRIC PART No.	RCA PART No.		
X1		RF Amp.	DS-75	GE-11	SK-3020	NPN	2093308-0701
X2		Converter	DS-75	GE-11	SK-3020	NPN	2093308-0702
X3		IF Amp.	DS-25	GE-9	SK-3008	PNP	2091241-0719
X4		1st. AF Amp.	DS-46	GE-10	SK-3020	NPN	2092609-0715
X5		2nd. AF Amp.	DS-46	GE-10	SK-3020	NPN	2092609-0713
X6		Output	DS-520	GE-3	SK-3009	NPN	2091859-0716

POWER RECTIFIERS & SIGNAL DIODES

ITEM No.	MEASURED CURRENT	ORIGINAL Part or Type No.	RECTIFIERS & DIODES		RECTIFIERS		
			GENERAL ELECTRIC PART No.	INTERNATIONAL RECTIFIER PART No.	MALLORY PART No.	RCA PART No.	SARKES TARZIAN PART No.
X7		2092055-0001	1N34AS	1N34A			
X8		2092055-0001	1N34AS	1N34A			

ELECTROLYTIC CAPACITORS

ITEM No.	RATING		BENDIX PART No.	REPLACEMENT DATA				
	CAP.	VOLT.		AEROVOX PART No.	CORNELL-DUBILIER PART No.	GENERAL ELECTRIC PART No.	MALLORY PART No.	SPRAGUE PART No.
C1A	1000	8	2091503-0713		CC0004			PCL3018.4
B	250	8						
C	500	8						
C2A	50	3	2092246-0704					
B	1000	3						

CAPACITORS

ITEM No.	RATING	REMARKS	REPLACEMENT DATA					
			AEROVOX PART No.	CENTRALAB PART No.	CORNELL-DUBILIER PART No.	ELMENCO PART No.	MALLORY PART No.	SPRAGUE PART No.
C10	45-250	#2091504-0007						
C11	.01 100V		DBE4S1	CPR-10000J	WMF1S1	1DP-1-103	PVC211	4PS-S10
C12	820		DI-820	DD-821	BYZ601ZU821P	CCD-821	B382	5GA-T82
C13	100		DI-100	DD-101	JBZ601YP101K	CCD-101	GP310	5GA-T10
C14A	120-230	#2092422-0712						
B	80							
C	370-445							
C15	.01 100V	(68)†	DBE4S1	CPR-10000J	WMF1S1	1DP-1-103	PVC211	4PS-S10
C16	.0068 100V		DBE6D68	CPR-6800J	WMF1D68	1DP-1-682	PVC4268	6PS-D68
C17	.0068 100V		DBE6D68	CPR-6800J	WMF1D68	1DP-1-682	PVC4268	6PS-D68
C18	82 N1500					*	*	
C19	.1	(, 47)†	TTD-1	CK-104	HOV101ZV104Z		TA010	TG-P10
C20	.1		TTD-1	CK-104	HOV101ZV104Z		TA010	TG-P10
C21	.005 100V		DBE6D5	CPR-5000J	DPMS6D5	1DP-1-502	PVC625	6PS-D50
C22	.1		TTD-1	CK-104	HOV101ZV104Z		TA010	TG-P10
C23	.01 25V		DBE4S1	CPR-10000J	WMF1S1	1DP-1-103	PVC211	4PS-S10
C24	.0068		DI-6800	DD-682	BYX601ZU682P	CCD-682	GP268	30GA-D68
C25	.2		UK20-204	UK20-204			MAG25022	HY-325
C26	.2		UK20-204	UK20-204			MAG25022	HY-325
C27	.2	(, 47)†	UK20-204	UK20-204			MAG25022	HY-325
C28	.1 25V		DBE2P1	DTN-33	WMF1P1	1DP-2-104	PVC101	2PS-P10
C29	33 N750	#2093050-0705	N750-DI33	DTN-33	CZ601UJ330K	CCTN-330	CN7433	10TCU-Q33
C30	.2		UK20-204	UK20-204			MAG25022	HY-325
C31	275							
C32	275							

* Not normally in distributor's stock. Available thru distributor on order to manufacturer.
Bendix Part Number. † Alternate Value.

CONTROLS

All wattages 1/2 watt, or less, unless otherwise listed.

ITEM No.	USE	RESISTANCE	REPLACEMENT DATA					
			BENDIX PART No.	CENTRALAB PART No.	CLAROSTAT PART No.	CTS-IRC PART No.	MALLORY PART No.	
R1A	Tone	25K	2094545-0701	F2-25K, R14-25K			† QJ-2199A	
B	Volume/Switch	25K Tap @ 3000Ω		FFS200, RFS208, KR-7, AK-38				

† "CONCENTRIKIT" Equivalent: K8 Kit, with Base Elements and Shafts: B13-120, P17-123 (Panel)
B19-119X, R26-206 (Rear)
R5 (Tab Mount)
76-2 (Switch)

"SNAPTROL" Equivalent: BU7, CF11, CR50T, SF14, SR50, WF.

VOLKSWAGEN MODELS 6BVG, 6BVT, 6BWW, 6BV3

PARTS LIST AND DESCRIPTION (CONTINUED)

(When ordering parts, state Model, Part Number, and Description.)

Replacement parts shown may be superseded by the availability of newly introduced replacements. Have your local distributor check Sams COUNTER FACTS® for the most up-to-date replacement.

COILS (RF-IF)

ITEM No.	USE	REPLACEMENT DATA				
		BENDIX PART No.	MEISSNER Part No.	MERIT PART No.	MILLER PART No.	WORKMAN PART No.
L1	Antenna	①				
L2	RF	①				
L3	Oscillator	①				
L4	Input IF	2094080-0705				
L5	Output IF	2094080-0706				

① Part of M1.

FILTER CHOKE

ITEM No.	RATINGS			REPLACEMENT DATA					NOTES
	CURRENT (Measured)	DC RES.	INDUCTANCE (0 CURRENT 1000~)	BENDIX PART No.	MERIT PART No.	STANCOR PART No.	THORDARSON PART No.	TRIAD PART No.	
L6	.720A	.2Ω	240uh	2092050-0724					

CHOKE (AUDIO OUTPUT)

ITEM No.	INDUCTANCE	REPLACEMENT DATA					NOTES
		BENDIX PART No.	MERIT PART No.	STANCOR PART No.	THORDARSON PART No.	TRIAD PART No.	
L7	20MH	2092245-0706					

SPEAKER

ITEM No.	TYPE			REPLACEMENT DATA		NOTES
				BENDIX PART No.	QUAM PART No.	
SP1	5"	PM	6Ω	2093455-0701	5A15Z6	Model: 6BVG, 6BVW. Model: 6BVT. Model: 6BV3.
	6"	PM	6Ω	2093006-0701		
	4" x 8"	PM	6Ω	2094561-0701		

FUSE DEVICES

ITEM No.	TYPE	RATING	REPLACEMENT DATA					
			PART No.		LITTELFUSE PART No.		BUSS PART No.	
			FUSE	HOLDER	FUSE	HOLDER	FUSE	HOLDER
F1	AGA	2 Amp.	2091811-0007	2094348-0508	301002	155004A	AGA 2	HAF

MISCELLANEOUS

ITEM No.	PART NAME	BENDIX PART No.	NOTES
M1	Tuner Coil Assembly	2094066-0505 2090131-0094	

CABINETS & CABINET PARTS

(When Ordering Specify Model, Chassis & Color)

ITEM	PART No.	ITEM	PART No.
Escutcheon	2094551-0501	Knob, Tone or Dummy	2094480-0001
Dial Glass	2094549-0501	Dial Pointer	2090129-0078
Knob, Tuning or Volume	2091420-0502	Pushbutton	2094440-0001

WIRING DATA

General-use Unshielded Hook-up Wire	Use BELDEN No. 8530 (Solid) Available in 12 Colors 8524 (Stranded) Available in 12 Colors
Shielded Hook-up Wire	Use BELDEN No. 8885
Rear Seat Speaker Extension Cable	Use BELDEN No. 8782 (Stranded) Coded Parallel Leads
Bonding Strap	Use BELDEN No. 8661 (3/8 In.) or 8670 (3/4 In.)