

ALL TRANSISTOR RADIO

SAPPHIRE III by **MOTOROLA**

Installation Instructions

for

VOLKSWAGEN-TRANSPORTER

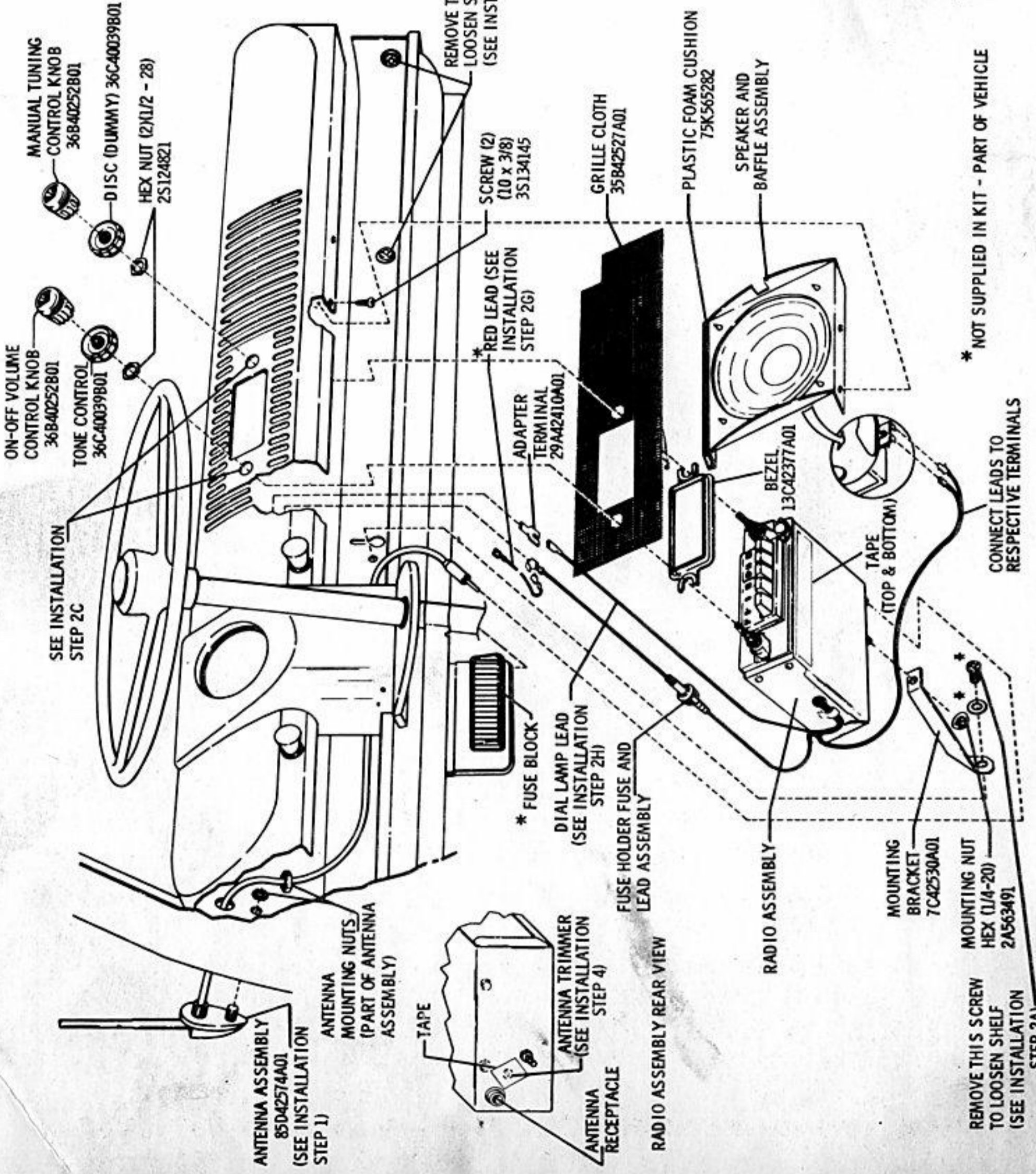
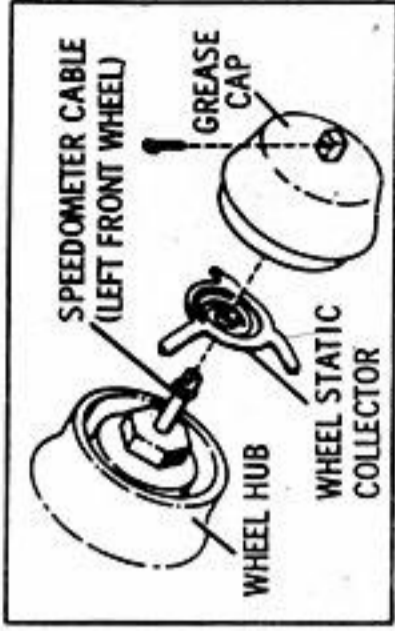
This package contains the following:

<i>Quantity</i>	<i>Description</i>	<i>Part Number</i>
1	Antenna Kit	85D42574A01
1	Radio Assembly, 6TMV	70D42362A04
1	Hex Nut, 1/4-20 stamped	2A563491
1	Bezel	13C42377A01
2	Screw, #10 x 3/8, Self Tapping	3S134145
1	Condenser, Generator	8B40353B01
1	Warranty Tag	54P43304A10
2	Disc, Tone Control, and Dummy	36C40039B01
2	Knob Assembly, Tuning and ON-OFF Vol.	36B40252B01
1	Bracket, Radio Mounting	7C42530A01
1	Grille Cloth	35B42527A01
1	Speaker and Baffle Assembly	1C42654A01
1	Plastic Foam Cushion, 1/2" x 6 3/4"	75K565282
2	Hex Nut, 1/2-28	2S124821
1	Owner's Manual	68P43305A19
1	Installation Instruction and Contents List	68P43307A13
1	Antenna Drilling Template	54P40057A11
1	Adapter, Terminal	29A42410A01
2	Wheel Static Collector	41B42528A01

MOTOROLA INC.



9401 W. Grand Ave., Franklin Park, Ill.



- ON-OFF VOLUME CONTROL KNOB 36B40252B01
- MANUAL TUNING CONTROL KNOB 36B40252B01
- TONE CONTROL 36C40039B01
- DISC (DUMMY) 36C40039B01
- HEX NUT (2X1/2 - 28) 2S124821

- ANTENNA ASSEMBLY 85D42574A01 (SEE INSTALLATION STEP 1)
- ANTENNA MOUNTING NUTS (PART OF ANTENNA ASSEMBLY)
- ANTENNA TRIMMER (SEE INSTALLATION STEP 4)
- ANTENNA RECEPTACLE

- * FUSE BLOCK
- DIAL LAMP LEAD (SEE INSTALLATION STEP 2H)
- FUSE HOLDER FUSE AND LEAD ASSEMBLY

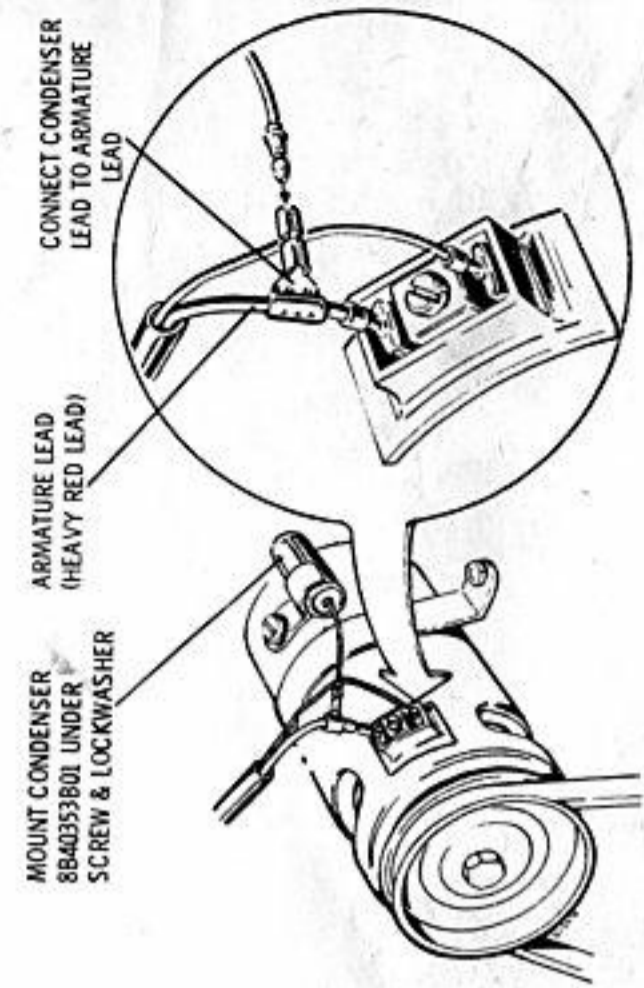
- ADAPTER TERMINAL 29A42410A01
- GRILLE CLOTH 35B42527A01
- PLASTIC FOAM CUSHION 75K565282
- SPEAKER AND BAFFLE ASSEMBLY

- MOUNTING BRACKET 7C42530A01
- MOUNTING NUT HEX (1/4-20) 2A563491

- REMOVE THESE SCREWS TO * LOOSEN SHELF (SEE INSTALLATION STEP 2A)
- SCREW (2) (10 x 3/8) 3S134145
- RED LEAD (SEE INSTALLATION STEP 2G)

- BEZEL 13C42377A01
- TAPE (TOP & BOTTOM)

- CONNECT LEADS TO RESPECTIVE TERMINALS
- * NOT SUPPLIED IN KIT - PART OF VEHICLE



Volkswagen Transporter

Radio Installation Instructions

1. INSTALL ANTENNA

- a. Use drilling template to position mounting holes on the left or right front panel as desired.
- b. Use hardware supplied to mount antenna; tighten securely.

NOTE: The antenna supplied is a low capacity type. The use of a substitute antenna is not recommended.

2. INSTALL RADIO AND SPEAKER

- a. Loosen parcel shelf by removing three screws located to the right of the steering column.
 - b. Remove ash tray by pushing it up from bottom side.
 - c. Remove and discard radio opening cover and enlarge the two mounting holes to $33/64$ " diameter.
 - d. Fit speaker assembly under dash directly below ash tray opening. Then slide speaker assembly to the right until it is under speaker grille in dash and in line with the mounting holes.
 - e. Fit grille cloth into position as shown in installation detail.
 - f. Fasten mounting bracket 7C42530A01 to radio with a $1/4$ -20 hex nut.
 - g. Disconnect red lead from ignition switch and plug the radio fuse lead on vacated terminal. Then connect red lead to adapter on radio fuse lead. **CAUTION: THIS METHOD OF WIRING CONNECTS THE RADIO TO THE BATTERY AHEAD OF THE IGNITION SWITCH. DO NOT OPERATE RADIO THROUGH THE IGNITION SWITCH—THE DISTRIBUTOR AND AUTOMATIC CHOKE MAY BE DAMAGED.**
 - h. Disconnect grey/red lead from speedometer lamp terminal and place adaptor 29A42410A01 on vacated terminal. Reconnect grey/red lead and radio dial lamp lead to the adaptor terminal.
 - i. Plug the antenna lead-in into receptacle on rear of radio.
-
-

-
-
- j. Place bezel 13C42377A01 in position on face of radio.
 - k. Lift radio to mounting position making sure the shafts of radio fit through the corresponding holes in grille cloth. Fasten radio in place with two 1/2-28 hex nuts.
 - l. Be sure the plastic foam cushion is fixed to the top edge of the speaker baffle. Position speaker assembly between panel and shelf and connect the speaker leads to the terminals on rear of speaker.
 - m. Fasten speaker assembly to dash with two #10 x 3/8" screws.
 - n. Tighten all screws and nuts and then replace parcel shelf using original screws.
 - o. Reinstall ash tray and knobs.

3. INSTALL NOISE SUPPRESSION EQUIPMENT

- a. Mount generator condenser 8B40353B01 under screw and lock-washer as shown in detail drawing. Attach condenser lead to armature lead (heavy red lead) by crimping quick-splice terminal around armature lead.
- b. Install wheel static collectors on front wheels. See detail drawing of left front wheel (except for speedometer cable right wheel is the same).

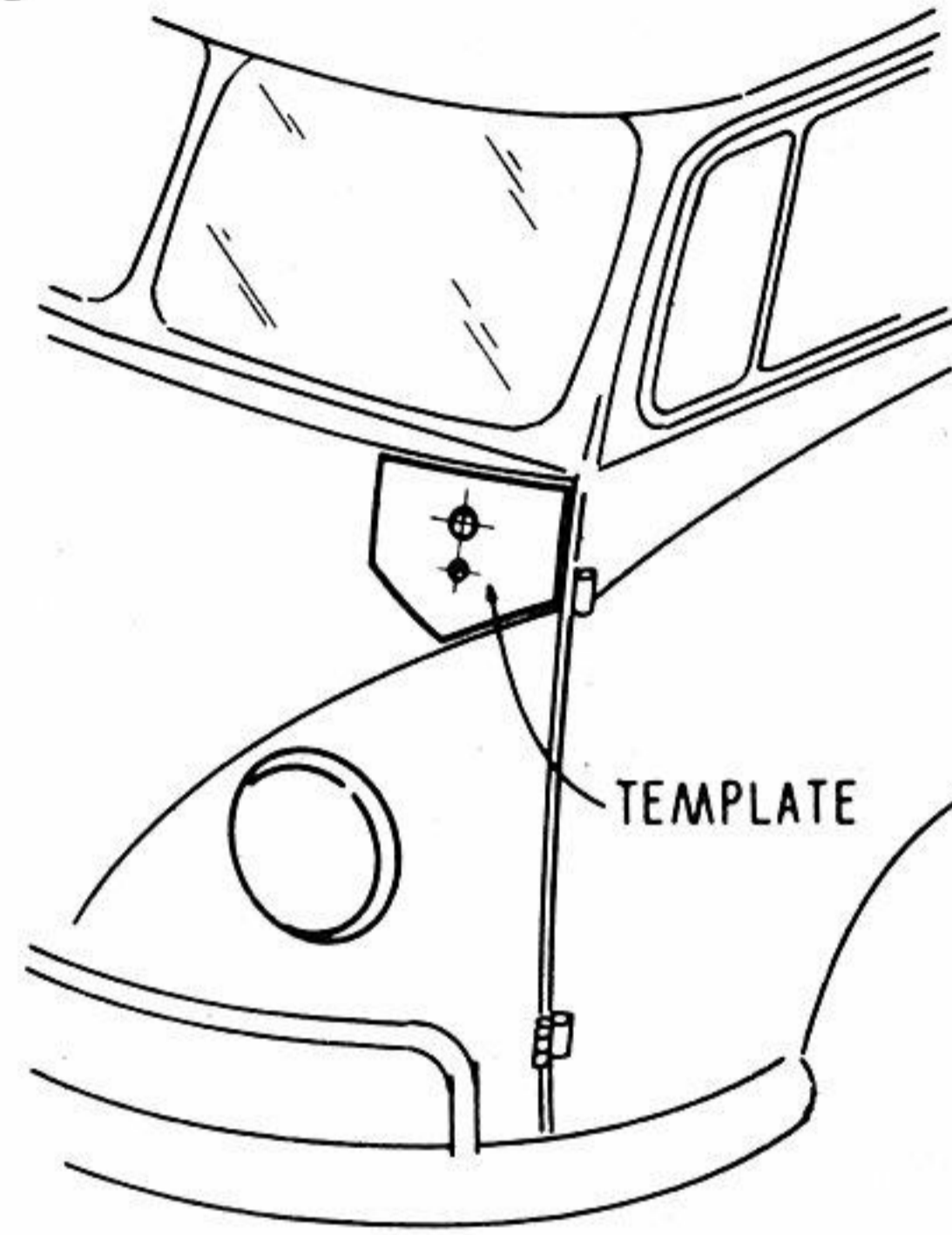
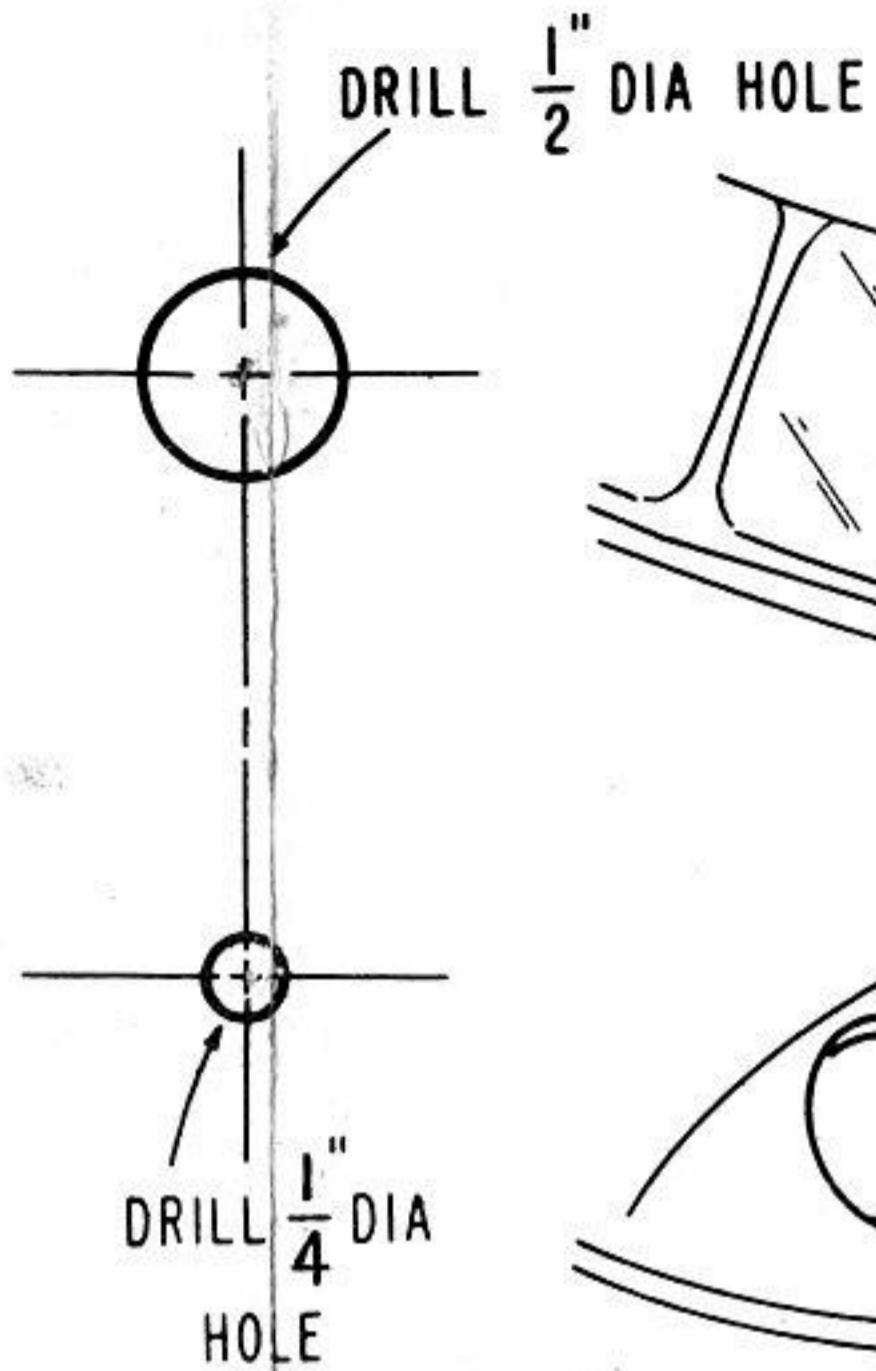
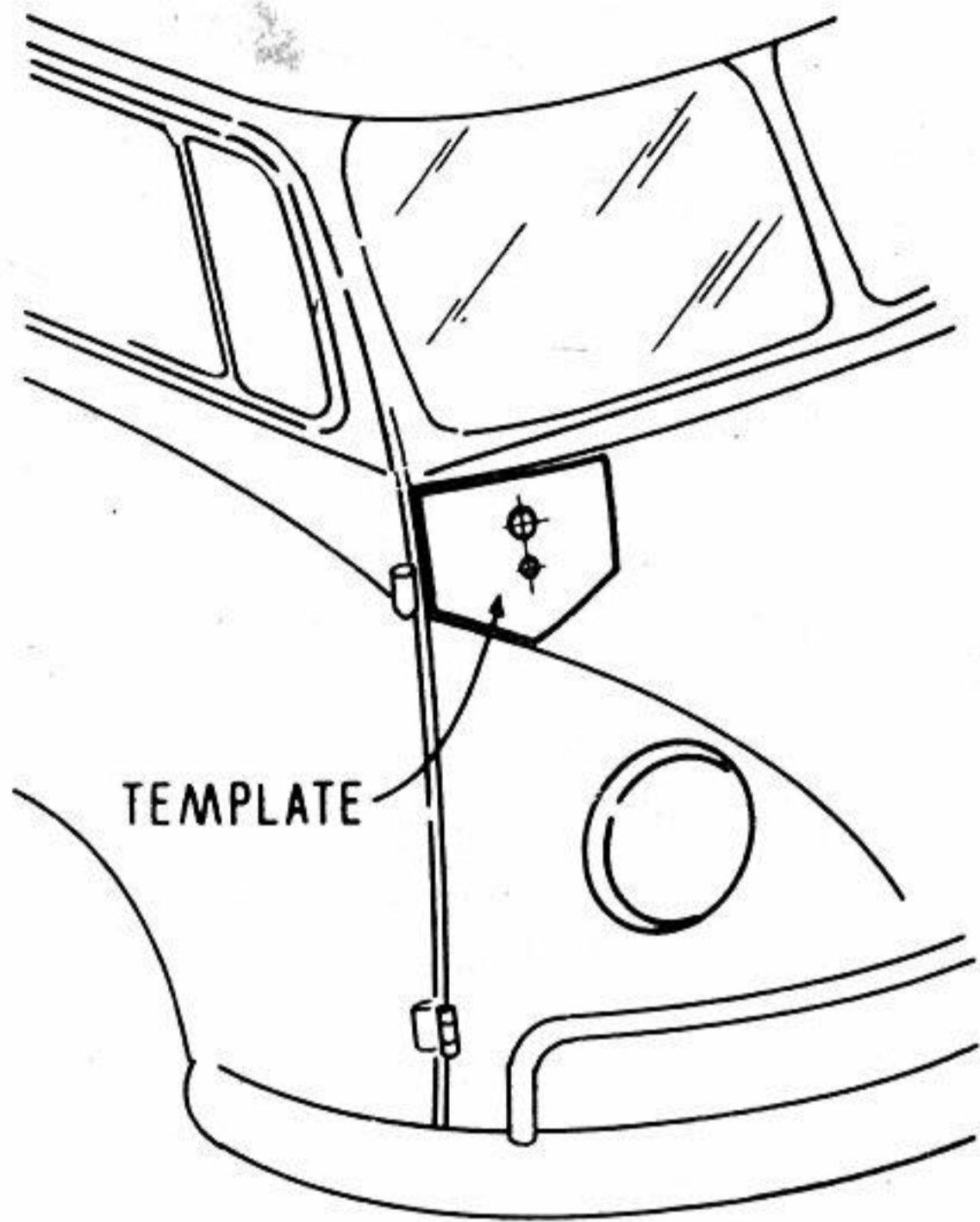
CAUTION: Failure to install the noise suppression equipment may result in noisy radio reception after normal usage of the vehicle.

4. ADJUST ANTENNA TRIMMER

- a. Extend antenna fully; turn radio on and tune-in a weak station (or random noise level between stations) between 1400 and 1600 Kc.
- b. Set volume control to maximum.
- c. Adjust antenna trimmer for maximum volume and replace tape over access hole.

NOTE: Optimum radio performance is obtained with antenna fully extended. If radio is operated consistently with the antenna only partly extended, above adjustment should be repeated with antenna in desired position.

IF RIGHT SIDE MOUNTING IS DESIRED
POSITION ON EDGE OF RIGHT FRONT DOOR SEAM



IF LEFT SIDE MOUNTING IS DESIRED
POSITION ON EDGE OF LEFT FRONT DOOR SEAM

POSITION TEMPLATE AS SHOWN
FOR SELECTED MOUNTING POSITION

ANTENNA DRILLING TEMPLATE
VOLKSWAGEN - TRANSPORTER